

# *LED Shelf Lighting*



*specialtylighting*

## CONTENTS

### **LINEAR FIXTURES**

ROMA LINKABLE	3
ROMA	4

### **ALUMINUM FIXTURES**

MEMPHIS	5
SLIMLINE RM	6
SLIMLINE SM	7
ALU CANNES liner	8
ALU MONACO semi linear	9
ALU MONACO SLIM	10
LAS VEGAS	11
TORINO	12

### **PMMA IP54 FIXTURES**

MONACO	13
CANNES	14
NIZZA	15
MONZA	16
LONG ISLAND	17

### **GLASS SHELF LIGHTING**

NEW YORK	18
MANHATTAN	19

### **SHELF LIGHTING**

SHELF TAG LIGHTS	20 - 21
PARIS	22
MIAMI	23

### **FLEXIBLE SHELF LIGHTING**

ALINAIAS	24
----------	----

# ROMA LINKABLE

Our smallest linear lighting fixture measures just 0.39" (10 mm) x 0.39" (10 mm). It features a special lenticular diffuser that creates a uniform linear light without visible LED dots. Fresh food display versions and different configurations are available upon request.

## Specifications/data per inch (meter)

### Electrical

Power: 9.6 W  
 Input voltage: 24 VDC  
 Current: 400 mA

### LED

Strip max. width: 0.24" (6 mm)  
 Type: 2835 / 3020  
 Qty: 140 pcs  
 CCT: 2700K / 3000K / 4000K / 5000K / 6500K  
 CRI > 80

### Light Output

Beam angle: 140°  
 Efficiency: 57 lm/W  
 Lumen: 540 lm

### Dimmability

Dimmable

### Appearance

Material: anodized aluminum, PMMA  
 Diffuser: frosted/milky  
 Dimensions: W 0.39" (10 mm) x H 0.39" (10 mm)  
 Max. length: 98.43" (2500 mm)

### Mounting

Surface

### Accessories

Spring steel clips / adhesive tape

### Wire Exit

End and side



clip



adhesive tape



# ROMA

The smallest linear lighting fixture is just 0.39" (10 mm) x 0.39" (10 mm). Our special lenticular diffuser creates a uniform linear light without visible LED dots. A perfect choice, if you are looking for a small yet linear light source up to 98.43" (2500 mm).

## Specifications/data per inch (meter)

### Electrical

Power: 9.6 W  
Input voltage: 24 VDC  
Current: 400 mA

### LED

Strip max. width: 0.24" (6 mm)  
Type: 2835 / 3020  
Qty: 140 pcs  
CCT: 2700K / 3000K / 4000K / 5000K / 6500K  
CRI > 80

### Light Output

Beam angle: 140°  
Efficiency: 57 lm/W  
Lumen: 540 lm

### Dimmability

Dimmable



### Appearance

Material: anodized aluminum, PMMA  
Diffuser: frosted/milky  
Dimensions: W 0.39" (10 mm) x H 0.39" (10 mm)  
Max. length: 98.43" (2500 mm)

### Mounting

Surface

### Accessories

Spring steel clips / adhesive tape



clip



adhesive  
tape

### Wire Exit

End and side



# MEMPHIS

*Memphis* was designed as a standard shelf lighting fixture. Several mounting options are offered. Fresh food display versions and different configurations are available upon request.

## Specifications/data per inch (meter)

### Electrical

Power: 14.4 W  
Input voltage: 24 VDC  
Current: 600 mA

### LED

Strip max. width: 0.39" (10 mm)  
Type: 2835  
Qty: 140 pcs  
CCT: 2700K / 3000K / 4000K / 5000K / 6500K  
CRI >80

### Light Output

Beam angle: 120°  
Efficiency: 82 lm/W (clear) / 77.5 lm/W (frosted) / 45 lm/W (milky)  
Lumen: 1180 lm (clear) / 1240 lm (frosted) / 720 lm (milky)

### Dimmability

Dimmable



### Appearance

Material: anodized aluminum, PMMA  
Diffuser: clear/frosted/milky  
Dimensions: W 0.67" (17 mm) x H 0.70" (17.8 mm)  
Max. length: 98.98" (2514 mm)

### Mounting

Surface

### Accessories

Screwable end-caps / spring steel clips / magnetic tape



clip



magnetic  
tape

### Wire Exit

End and side



# SLIMLINE RM

With a recessed, flush mounting, *Slimline RM* is designed for display and cabinet lighting applications. Fresh food display versions and different configurations are available upon request.

## Specifications/data per inch (meter)

### Electrical

Power: 9.6 W

Input voltage: 12 VDC / 24 VDC

Current: 400 mA / 800 mA

### LED

Strip max. width: 0.31" (8 mm)

Type: 3020

Qty: 120 pcs

CCT: 2700K / 3000K / 4000K / 5000K / 6000K

CRI > 80

### Light Output

Beam angle: 120°

Efficiency: 80 lm/W (clear) / 64 lm/W (frosted)

Lumen: 768 lm

### Dimmability

Dimmable



### Appearance

Material: anodized aluminum, PMMA

Diffuser: clear/frosted/milky

Dimensions: W 0.67" (17 mm) x H 0.34" (8.7 mm)

Max. length available: 98.43" (2500 mm)

### Mounting

Recessed

### Wire Exit

End



## SLIMLINE SM

*Slimline SM* is designed for shelf and refrigeration display lighting. Mounting is easy using metal clips or magnets. It is our standard fixture for most lighting applications. Fresh food display versions and different configurations are available upon request.

### Specifications/data per inch (meter)

#### Electrical

Power: 9.6 W

Input voltage: 12 VDC / 24 VDC

Current: 400 mA / 800 mA

#### LED

Strip max. width: 0.31" (8 mm)

Type: 3020

Qty: 120 pcs

CCT: 2700K / 3000K / 4000K / 5000K / 6000K

CRI > 80

#### Light Output

Beam angle: 120°

Efficiency: 75 lm/W

Lumen: 360 lm

#### Dimmability

Dimmable



#### Appearance

Material: anodized aluminum, PMMA

Diffuser: clear/frosted/milky

Dimensions: W 0.67" (17 mm) x H 0.34" (8.7 mm)

Max. length available: 98.43" (2500 mm)

#### Mounting

Surface

#### Accessories

Spring steel clips / magnetic tape

#### Wire Exit

End



clip



magnetic  
tape



# ALU CANNES linear

A special optical diffuser creates a linear effect by making LED dots nearly invisible, similar to fluorescent tubes. Different configurations are available upon request.

## Specifications/data per inch (meter)

### Electrical

Power: 9.6 W

Input voltage: 12 VDC / 24 VDC

Current: 400 mA / 800 mA

### LED

Strip max. width: 0.24" (6 mm)

Type: 3020

Qty: 140 pcs

CCT: 2700K / 3000K / 4000K / 5000K / 6000K

CRI > 80

### Light Output

Beam angle: 110°

Efficiency: 45 lm/W

Lumen: 432 lm

### Dimmability

Dimmable



### Appearance

Material: anodized aluminum, PMMA

Diffuser: milky

Dimensions: W 0.39" (10 mm) x H 0.39" (10 mm)

Max. length: 98.43" (2500 mm)

### Mounting Surface

Corner mounting



clip

### Accessories

Spring steel clips

### Wire Exit

End





## ALU MONACO semi-linear

Another ultra-small lighting fixture, just 0.31" (8 mm) x 0.39" (10 mm). *Alu Monaco* is designed for ceiling, wall, cabinet, and undercabinet applications. Semi-linear, means the LED dots are slightly visible. *Alu Monaco* does not provide a complete linear light, as the *ROMA* (Page 4). Different configurations are available upon request.

### Specifications/data per inch (meter)

#### Electrical

Power: 12.96 W

Input voltage: 12 VDC / 24 VDC

Current: 400 mA / 800 mA

#### LED

Strip max. width: 0.20" (5 mm)

Type: 3020

Q'ty: 120 pcs

CCT: 2700K / 3000K / 4000K / 5000K / 6000K

CRI > 80

#### Light Output

Beam angle: 90°

Efficiency: 72 lm/W

Lumen: 700 lm

#### Dimmability

Dimmable



#### Appearance

Material: anodized aluminum, PMMA

Diffuser: clear/frosted /milky

Dimensions: W 0.31" (8 mm) x H 0.39" (10 mm)

Max. length: 98.43" (2500 mm)

#### Mounting

Surface / recessed

#### Accessories

Spring steel clips



clip

#### Wire Exit

End



# ALU MONACO SLIM

An ultra-slim lighting fixture, just 0.24" (6 mm) x 0.31" (8 mm). *Alu Monaco Slim* is designed for ceiling, wall, cabinet, and undercabinet applications. Different configurations are available upon request.

## Specifications/data per inch (meter)

### Electrical

Power: 9.6 W

Input voltage: 12V DC / 24V DC

Current: 400 mA / 800 mA

### LED

Strip max. width: 0.16" (4 mm)

Type: 3020

Q'ty: 100 pcs

CCT: 2700K / 3000K / 4000K / 5000K / 6000K

CRI > 80

### Light Output

Beam angle: 120°

Efficiency: 70 lm/W

Lumen: 672 lm

### Dimmability

Dimmable



### Appearance

Material: anodized aluminum, PMMA

Diffuser: frosted/milky

Dimensions: W 0.31" (8 mm) x H 0.24" (6 mm)

Max. length: 98.43" (2500 mm)

### Mounting

Surface / recessed

### Accessories

Spring steel clips



clip

### Wire Exit

End and side



# LAS VEGAS

The *Las Vegas* fixture is designed to provide versatility with an asymmetrical inserting rail that can be positioned in two positions or left out entirely. When combined with the lens type cover, it offers five different light beam angles (20°, 45°, 60°, 75°, 90°). This feature allows the light to create various wall-washer effects.

## Specifications/data per inch (meter)

### Electrical

Power: 14.4 W  
 Input voltage: 12V DC / 24V DC  
 Current: 400 mA / 800 mA

### LED

Strip max. width: 0.39" (10 mm)  
 Type: 2835  
 Q'ty: 120 pcs  
 CCT: 2700K - 6500K  
 CRI > 80

### Light Output

Beam angle: Adjustable (20°, 45°, 60°, 75°, 90°)  
 Efficiency: 90-100 lm/W  
 Lumen: 1150 lm (clear)

### Dimmability

Dimmable

### Appearance

Material: anodized aluminum, PMMA  
 Diffuser: frosted/milky  
 Dimensions: W 0.31" (15.5 mm) x H 0.24" (18 mm)  
 Max. length: 98.43" (2500 mm)

### Mounting

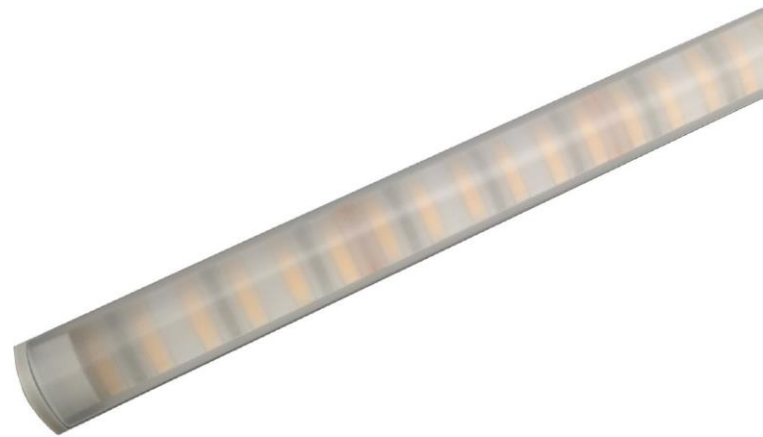
Surface / recessed

### Accessories

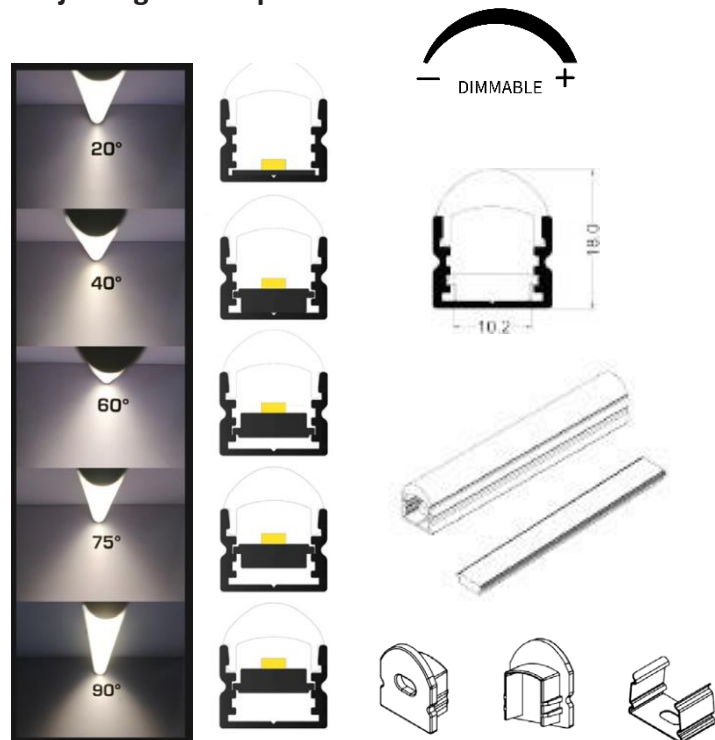
Spring steel clips

### Wire Exit

End and side



Achieve multiple beam angles by adjusting the rail position!



# TORINO

*Torino* is designed for shelf and refrigeration applications as an alternative to T5 and T8 tube light installations. The fixture can be easily mounted -45° to +45° in 15° intervals. Fresh food display versions and different configurations are available upon request.

## Specifications/data per inch (meter)

### Electrical

Power: 9.6 W

Input voltage: 12 VDC / 24 VDC

Current: 400 mA / 800 mA

### LED

Strip max. width: 0.31" (8 mm)

Type: 3020

Q'ty: 120 pcs

CCT: 2700K / 3000K / 4000K / 5000K / 6000K

CRI > 80

### Light Output

Beam angle: 120°

Efficiency: 85 lm/W

Lumen: 816 lm

### Dimmability

Dimmable

### Appearance

Material: anodized aluminum, PMMA

Diffuser: clear/frosted/milky

Diameter:  $\varnothing$  0.63" (16 mm)

Max. length available: 98.43" (2500 mm)

### Mounting

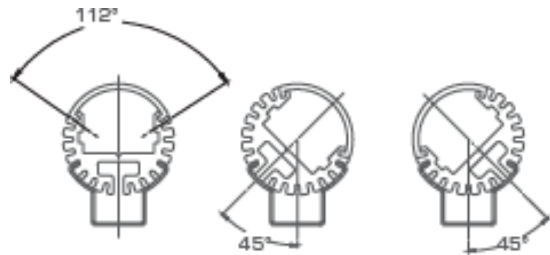
Surface

### Accessories

Spring steel clips

### Wire Exit

End



clip



# MONACO

Our smallest lighting fixture, just 0.20" (5 mm) x 0.28" (7 mm). *Monaco* is designed for display, cabinet, and undercabinet applications. Different colors and configurations are available upon request.

## Specifications/data per inch (meter)

### Electrical

Power: 9.6 W  
 Input voltage: 12 VDC / 24 VDC  
 Current: 800 mA

### LED

Strip max. width: 0.16" (4 mm)  
 Type: 3020  
 Q'ty: 100 pcs  
 CCT: 2700K / 3000K / 4000K / 5000K / 6000K  
 CRI > 80

### Light Output

Beam angle: 120°  
 Efficiency: 75 Lm/W  
 Lumen: 720 Lm

### Dimmability

Dimmable

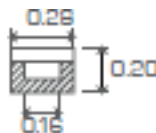


### Appearance

Material: anodized aluminum, PMMA  
 Diffuser: clear/frosted  
 Dimensions: W 0.28" (7mm) x H 0.20" (5 mm)  
 Max. length: 98.43" (2500 mm)

### Mounting

Surface



### Accessories

Spring steel clips

### Wire Exit

End



# CANNES

The quadrant lighting fixture is designed to accommodate a 0.28" (7 mm) wide ultra-flat LED strip and can be easily and elegantly adapted to any corner or edge. Fresh food display versions and different configurations are available upon request.

## Specifications/data per inch (meter)

### Electrical

Power: 9.6 W

Input voltage: 12 VDC / 24 VDC

Current: 400 mA / 800 mA

### LED

Strip max. width: 0.31 in (8 mm)

Type: 3020

Q'ty: 120 pcs

CCT: 2700K / 3000K / 4000K / 5000K / 6000K

CRI > 80

### Light Output

Beam angle: 120°

Efficiency: 85 lm/W

Lumen: 816 lm (clear) / 814 lm (frosted)

### Dimmability

Dimmable



### Appearance

Material: PMMA

Diffuser: clear/frosted

Dimensions: W 0.39" (10 mm) x H 0.39" (10 mm)

Max. length available: 98.43" (2500 mm)

### Mounting

Surface



clip

### Accessories

Spring steel clips

### Wire Exit

End and side



# NIZA SEMILINEAR

The co-extruded PMMA lighting fixture is designed for shelf and refrigeration display lighting. Fresh food display versions and different configurations are available upon request.

## Specifications/data per inch (meter)

### Electrical

Power: 9.6 W  
 Input voltage: 12 VDC / 24 VDC  
 Current: 400 mA / 800 mA

### LED

Strip max. width: 0.31" (8 mm)  
 Type: 3020  
 Q'ty: 120 pcs  
 CCT: 2700K / 3000K / 4000K / 5000K / 6000K CRI > 80

### Light Output

Beam angle: 120°  
 Efficiency: 80 lm/W  
 Lumen: 768 lm

### Dimmability

Dimmable



### Appearance

Material: anodized aluminum, PMMA  
 Diffuser: milky  
 Dimensions: W 0.43" (11 mm) x H 0.47" (12 mm)  
 Max. length available: 98.43" (2500 mm)

### Mounting

Surface



clip

### Accessories

Spring steel clips

### Wire Exit

End



# MONZA LINEAR

The co-extruded PMMA lighting fixture is designed for shelf and refrigeration display lighting. Fresh food display versions and different configurations are available upon request.

## Specifications/data per inch (meter)

### Electrical

Power: 9.6 W

Input voltage: 12 VDC / 24 VDC

Current: 400 mA / 800 mA

### LED

Strip max. width: 0.31" (8 mm)

Type: 3020

Q'ty: 120 pcs

CCT: 2700K / 3000K / 4000K / 5000K / 6000K

CRI > 80

### Light Output

Beam angle: 120°

Efficiency: 60 lm/W

Lumen: 576 lm

### Dimmability

Dimmable



### Appearance

Material: anodized aluminum, PMMA

Diffuser: milky

Dimensions: W 0.43" (11 mm) x H 0.55" (14 mm)

Max. length available: 98.43 in (2500 mm)

### Mounting

Surface



clip

### Accessories

Spring steel clips

### Wire Exit

End





## LONG ISLAND

One of the slimmest LED lighting fixtures available, just 3mm thick. An extremely flexible light fixture with a side-lit LED strip. Perfect for narrow spaces or outlining uniquely shaped areas. Different configurations are available upon request.

### Specifications /data per inch (meter)

#### Electrical

Power: 9.6 W

Input voltage: 24 VDC

#### LED

Strip max. width: 0.39" (10 mm)

Type: 3003

Q'ty: 120 pcs

CCT: 6000K

CRI > 80

#### Light Output

Beam angle: 140°

Efficiency: 75 lm/W

Lumen: 700 lm

#### Dimmability

Dimmable



#### Appearance

Material: PC

Diffuser: clear

Dimensions: W 0.4" (10.6 mm) x H 0.12" (3.0 mm)

Max. length available: 98.43" (2500 mm)

#### Mounting

Surface

#### Accessories

Spring steel clips



clip

#### Wire Exit

End



# NEW YORK

*New York* is a glass shelf lighting fixture consisting of two parts. Both parts can be used together for wall mounting or just the upper part can be used alone inside a cabinet. The wall mount version fully supports the glass panel. Available for 0.24" (6 mm) and 0.31" (8 mm) glass shelves.



## Specifications/data per inch (meter)

### Electrical

Power: 9.6 W

Input voltage: 24 VDC

Current: 400 mA

### LED

Strip max. width: 0.24" (6 mm) / 0.31 in (8 mm)

Type: 3020 / 2835

Q'ty: 120 pcs

CCT: 2700K / 3000K / 4000K / 5000K / 6500K

CRI > 80

### Light Output

Beam angle: 60°

Efficiency: 42 lm/W

Lumen: 350 lm

### Dimmability

Dimmable



### Appearance

Material: anodized aluminum, PMMA

Diffuser: clear

Dimensions: W 1.38" (35 mm) x H 1.30" (33 mm)

Max. length: 98.43" (2500 mm)

### Mounting

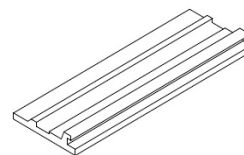
Surface

### Accessories

Screw

### Wire Exit

End



wall mount rail



## MANHATTAN

*Manhattan* is a 3-way glass shelf lighting fixture that illuminates the glass shelf from behind and provides additional light above and below, creating a mini wall-washer effect. Suitable for 0.31" (8 mm) and 0.39" (10 mm) glass shelves.

### Specifications/data per inch (meter)

#### Electrical

Power: 9.6 W

Input voltage: 12 VDC / 24 VDC

Current: 400 mA / 800 mA

#### LED

Strip max. width: 0.24" (6 mm) / 0.31 in (8 mm)

Type: SMD3528

Q'ty: 120 pcs

CCT: 2700K / 3000K / 4000K / 5000K / 6500K

CRI: >80

#### Light Output

Beam angle: 120°

Efficiency: 45 lm/W

Lumen: 432 lm

#### Dimmability

Dimmable



#### Appearance

Material: anodized aluminum, PMMA

Diffuser: milky

Dimensions: W 1.18" (30 mm) x H 0.55" (14 mm)

Max. length: 98.43" (2500 mm)

#### Mounting

Surface

#### Accessories

Screws

#### Wire Exit

End



# SHELF TAG LIGHT

The specially designed *Shelf Tag Light* illuminates the price tags or logos of your products through a dedicated extruded light guide. It also provides downward lighting at a 30° angle to illuminate lower shelf compartments, ensuring even lighting for shelves up to 24" (500 mm) high and 24" (500 mm) deep. Different configurations are available upon request.

## Specifications/data per inch (meter)

### Electrical

Power: 9.6 W / 24 W

Input voltage: 24 VDC

Current: 400 mA (20 mA LED) / 1000 mA (50 mA LED)

### LED

Strip max. width: 0.31" (8 mm)

Type: 3020

Current: 20 mA / 50 mA

Q'ty: 120 pcs

CCT: 2700K / 3000K / 4000K / 5000K / 6000K

CRI > 80

### Light Output

Beam angle: 30° front side up & 210° back side down

Efficiency: 100 lm/W (20 mA LED) / 95 lm/W (50 mA LED)

Lumen: 900 lm at 400 mA / 2200 lm at 1000 mA

### Dimmability

Dimmable

### Appearance

Material: anodized aluminum, PMMA, PVC

Diffuser over light guide: clear

Max. length available: 98.43" (2500 mm)

### Mounting

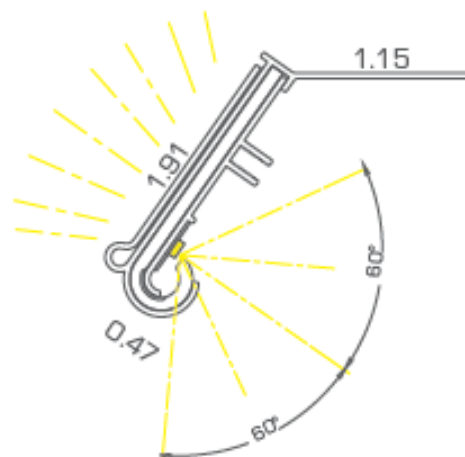
Surface

### Versions

Standard (using a double-sided tape) / for Scantech® shelves / for Tegometall® shelves / for AHT® shelves

### Wire Exit

Omni-directional possible, secured by a strain relief (applies to lighting fixture norms)



VERSIONS



**Standard**

Universal type to be taped onto the front top of the shelf



**Scantech®**

Special made for Scantech® shelves



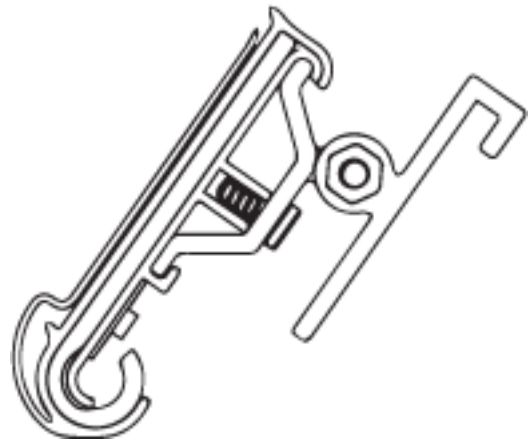
**Tegometall®**

Special made for Tegometall® shelves



**AHT®**

Special made for AHT® shelves



**Universal**

Universal type, adjustable to ±45



# PARIS

## Display light

The uniquely designed *Paris Display Light* illuminates the front and the shelf/display below through a dedicated extruded light guide. The lower shelf is lit in two ways: at the front and the area behind. Different configurations are available upon request.

## Specifications/data per inch (meter)

### Electrical

Power: 14.4 W  
Input voltage: 24 VDC  
Current: 600 mA

### LED

Strip max. width: 0.12" (3 mm)  
Type: 4014  
Q'ty: 80 pcs  
CCT: 2700K / 3000K / 4000K / 5000K / 6000K  
CRI > 80

### Light Output

Beam angle: 120° (top), bottom 300° (bottom)  
Efficiency: 80 lm/W  
Lumen: 1152 lm

### Dimmability

Dimmable

### Appearance

Material: PMMA  
Diffuser: frosted  
Dimensions: W 0.12" (3 mm) x H 2.01" (51 mm)  
Max. length: 55.12" (1400 mm)

### Mounting

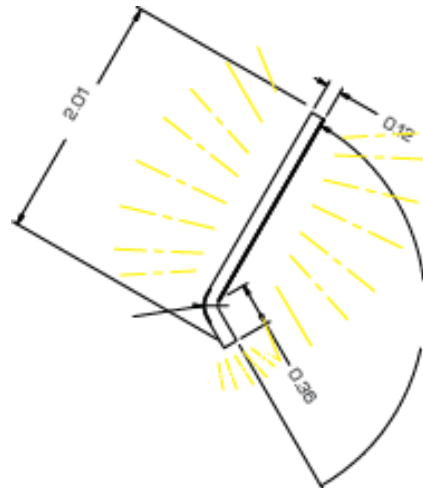
Surface/recessed

### Accessories

Insert/recessed

### Wire Exit

End



# MIAMI

## Indirect shelf lighting

*Miami* is an indirect shelf lighting fixture designed for optimal front-facing illumination of shelves. Fresh food display versions and different configurations are available upon request.

## Specifications/data per inch (meter)

### Electrical

Power: 11.5 W

Input voltage: 24 VDC

### LED

Type: 2216

Q'ty: 210 pcs

CCT: 2700K- 6500K

CRI > 90

### Light Output

Beam angle: 90°

Efficiency: 35-40 lm/W

Lumen: 380 lm (milky)

### Dimmability

Dimmable

### Appearance

Material: anodized aluminum, PC

Diffuser: milky

Dimensions: L 39.37" (1000 mm) x W 0.866" (22 mm) x H 0.492" (12.5 mm)

Max. length: 78.74" (2000 mm)

### Mounting

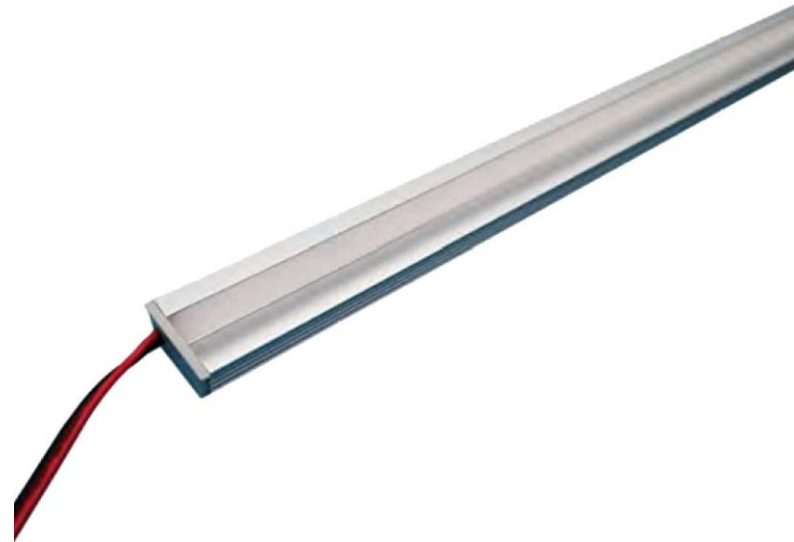
Surface

### Accessories

Screwable endcaps/spring steel clips/magnetic tape

### Wire Exit

End and side



clip



magnetic  
tape



# ALINAIS

Flexible shelf light

*Alinais* is a fully flexible lighting fixture designed for shaped displays, cabinets, and undercabinet applications. Different colors are available (black, white; and custom colors with MOQ). Different configurations are available upon request.

## Specifications/data per inch (meter)

### Electrical

Power: 9.6 W  
Input voltage: 12 VDC / 24 VDC  
Current: 400 mA / 800 mA

### LED

Strip max. width: 0.39" (10 mm)  
Type: 3020  
Q'ty: 120 pcs  
CCT: 2700K / 3000K / 4000K / 5000K / 6000K  
CRI > 80

### Light Output

Beam angle: 120°  
Efficiency: 75 lm/W  
Lumen: 360 lm

### Dimmability

Dimmable



### Appearance

Material: PVC  
Diffuser: clear /milky  
Dimensions: W0.55" (14 mm) x H0.31" (7.90 mm)  
Max. length: 98.43" (2500 mm)

### Mounting

Surface



clip



magnetic  
tape

### Accessories

Spring steel clips / magnetic tape

### Wire Exit

End







*More Than Lighting,  
Powerful Solutions*

704.538.6522  
[www.specialtylighting.com](http://www.specialtylighting.com)