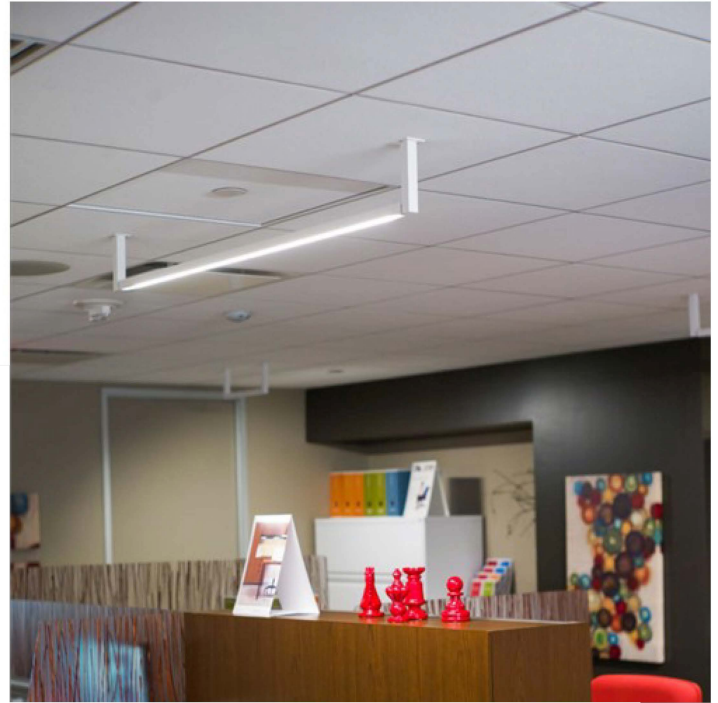
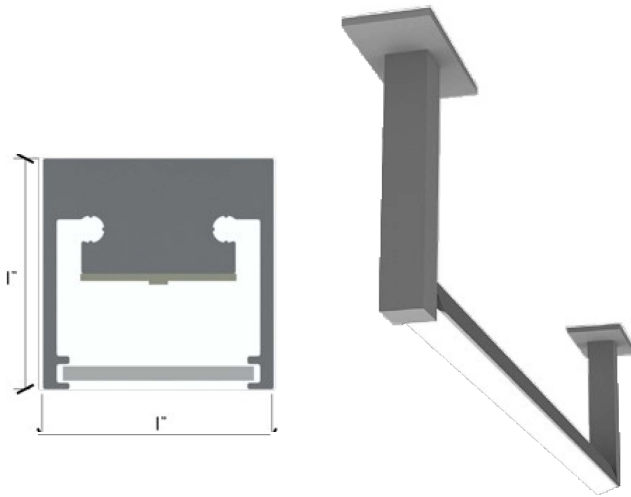


# TRANS Duet

## TRANS / Wall/Ceiling



TRANS Duet, extruded aluminum minimal design 1"x 1" lighting fixture with remote drivers (max distance 80'). For Ceiling or Wall Adjustable, rotates in the longitudinal axis. Arms are the same section and can have different lengths. Special blocking required for wall installations. 3000K and 3500K with 12.5 w/foot. Dimmable and non-dimmable with 0-10v and Triac drivers. Special film for LED allows a continuous and even line of light (the dots generated by the LED source are not seen).

### TRANS Duet Wall/Ceiling Dual Arms

#### Lumen Output

- 3017 - 3000 K 1200 lumens / ft 12 w /ft
- 3014 - 3000 K 1000 lumens / ft 10 w /ft
- 3011 - 3000 K 780 lumens / ft 7.5 w /ft
- 3008 - 3000 K 560 lumens / ft 5.5w /ft
- 3005 - 3000 K 350 lumens / ft 3.1 w /ft
- 3517 - 3500 K 1200 lumens / ft 12 w /ft
- 3514 - 3500 K 1000 lumens / ft 10 w /ft
- 3511 - 3500 K 780 lumens / ft 7.5 w /ft
- 3508 - 3500 K 560 lumens / ft 5.5w /ft
- 3505 - 3500 K 350 lumens / ft 3.1 w /ft

WhTu - White tuning 2700K @ 1050 lumens/foot  
and 6500k @ 1200 lumens/foot 12.5 watt/foot

All Uplight versions with light will have a transparent diffuser  
Use of programmable drivers allow different outputs (lumen output and load) to fix color temperature versions

#### Mounting

- WA - Wall
- CE - Ceiling

#### Finish

- WH - White
- BK - Black
- CU - Custom Color  
Specify RAL color

# TRANS Duet

TRANS / Wall/Ceiling



### Dimming

- - Non Dimmable 120v  
Max 4' per driver
- 1 - Non Dimmable 277v  
Max 4' per driver
- 4 - Dimmable 0-10v (4wires, 120/277 v)  
Max 4' per driver  
Using TRIAC drivers in 4', need 2 feeds per module

### Runs

- A - 1' nominal module 12.5w
- B - 2' nominal module 25w
- C - 3' module 35 inches 37.5 w
- D - 4' nominal module 50w
- E - 5' nominal module 62.5w
- F - 6' nominal module 75w
- G - 7' nominal module 87.5w
- H - 8' nominal module 100 w

- AE - Arm end
- AI - Arm intermediate

Total Run: (0 ft 0 in)  
Length of runs are informative  
archlit will produce submittals for approval

### Arm Length

- A3 - 3"
- A6 - 6"
- A8 - 8"
- A12 - 12"
- A18 - 18"
- A24 - 24"
- A36 - 36"
- A36 only ceiling mounted

### Canopy

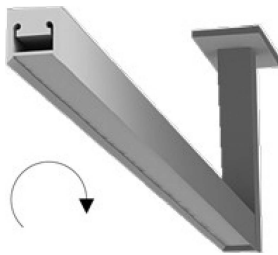
- SQ - Square Plate 4"x 4"
- RD - Round 4" x 4" Jbox
- SG - Single Gang Plate
- Specify RAL color if custom color

### Emergency

- 00 - No Emergency
- EM - Emergency module max. 24"
- Max length for emergency 4'

### Notes:

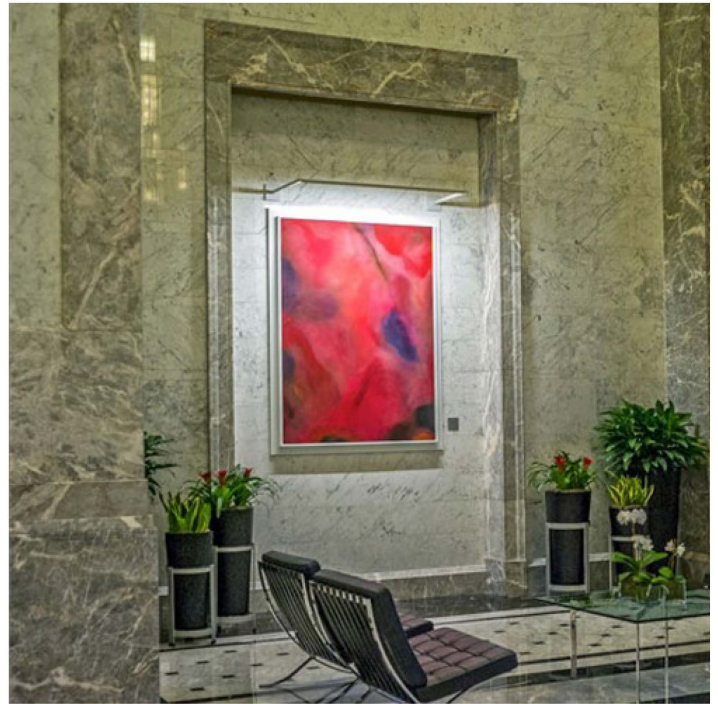
- Max distance to remote drivers 8'
- CRI > 90

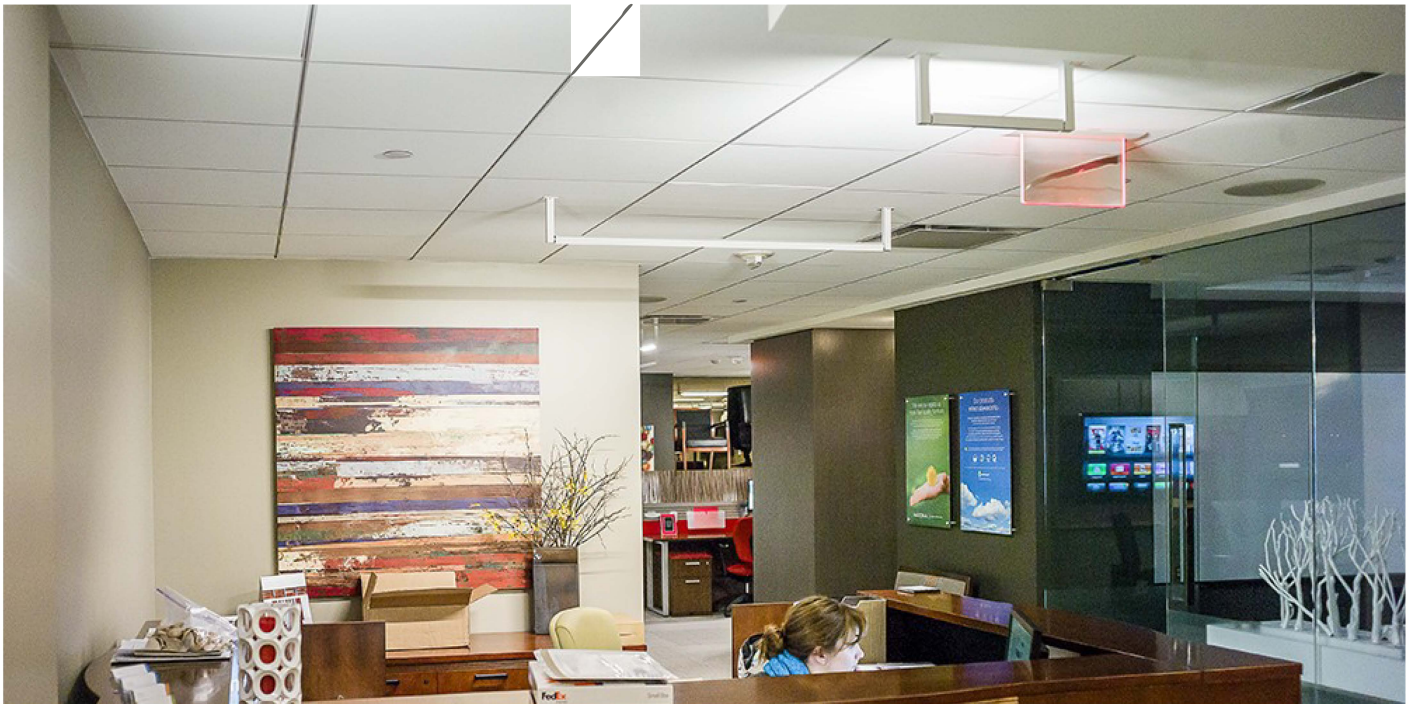


AE

AI

AE





TRANS / Wall/Ceiling

### Driver Boxes

