



Project: _____ Type: _____

Item. No. _____

Location: _____

Notes: _____

small 20W non-cutoff LED

wall pack



standard features

electrical

- Input operating voltage: 120-277V
- 0-10V dimming
- THD: < 20%
- Power factor > 0.95

lighting source

- LED
- CRI > 80

construction

- Heavy-duty, die cast aluminum housing includes three available 1/2" threaded conduit hubs, one on back and one on each side

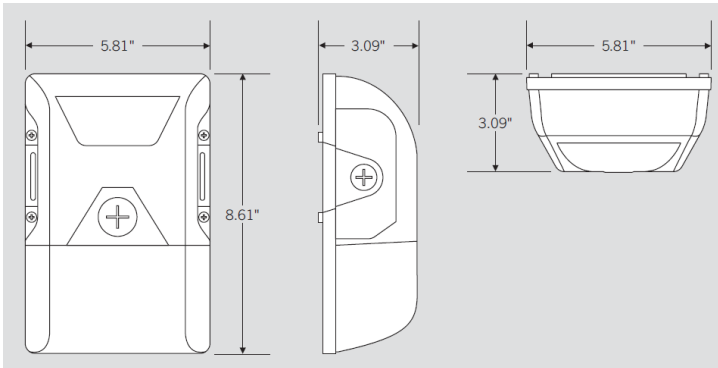
other

- Legacy equivalent: 50-70W MH
- Ambient operating temperature: -40°C/-40°F to 50°C/122°F
- Built-in dusk-to-dawn photocell behind translucent 1/2" threaded plug with anti-yellowing agent

warranty/certification

- 5 year warranty
- Meets FCC Part 15, Part B, class A standards for conducted and radiated emissions
- Fixture impact rating IK07
- UL listed for wet locations, IP65

dimensions



ordering information

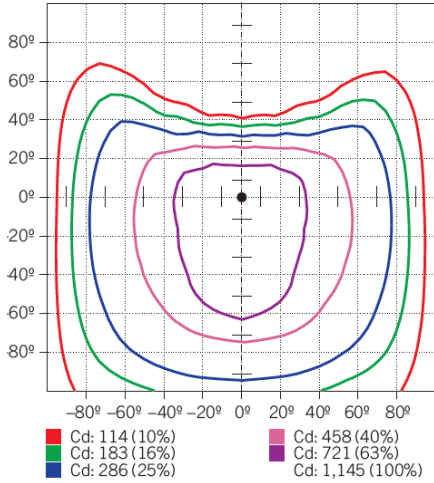
catalog number	color temperature	CRI	lumens	lumens below 90°	watts	lumens/watt	input voltage	power factor	dimming	THD	L70 hours	housing color
SL-WP-LED-LPS-20-8CSB	3000K	>80	2600	2340	20W	122	120-277V	>95%	0-10V	<20%	50,000	bronze
	4000K		2700	2430		143						
	5000K		2500	2250		134						

* Color Uniformity: CCT [Correlated Color Temperature] range as per guidelines outlined in ANSI C78.377-2017

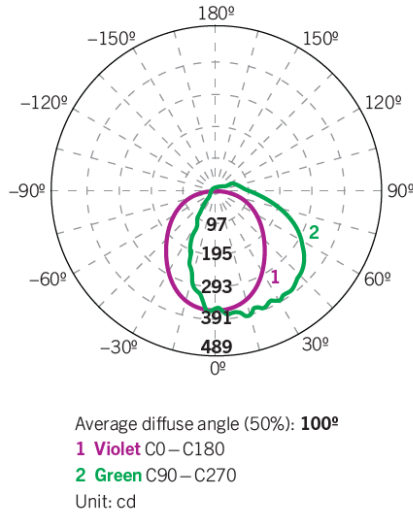
20W non-cutoff LED wall pack

photometric specifications

isocandela plot



luminous intensity distribution



flux distribution

Zone	Lumens	% Luminaire
Forward Light	1,653 lm	64.0%
0°–30°	379 lm	14.7%
30°–60°	758 lm	29.4%
60°–80°	400 lm	15.5%
80°–90°	116 lm	4.5%
Back Light	667 lm	25.8%
0°–30°	264 lm	10.2%
30°–60°	283 lm	11.0%
60°–80°	97 lm	3.8%
80°–90°	23 lm	0.9%
Up Light	261 lm	10.1%
90°–100°	92 lm	3.5%
100°–180°	170 lm	6.6%

BUG* Rating

Asymmetrical Luminaire Types

Type I, II, III, IV B1 U3 G1

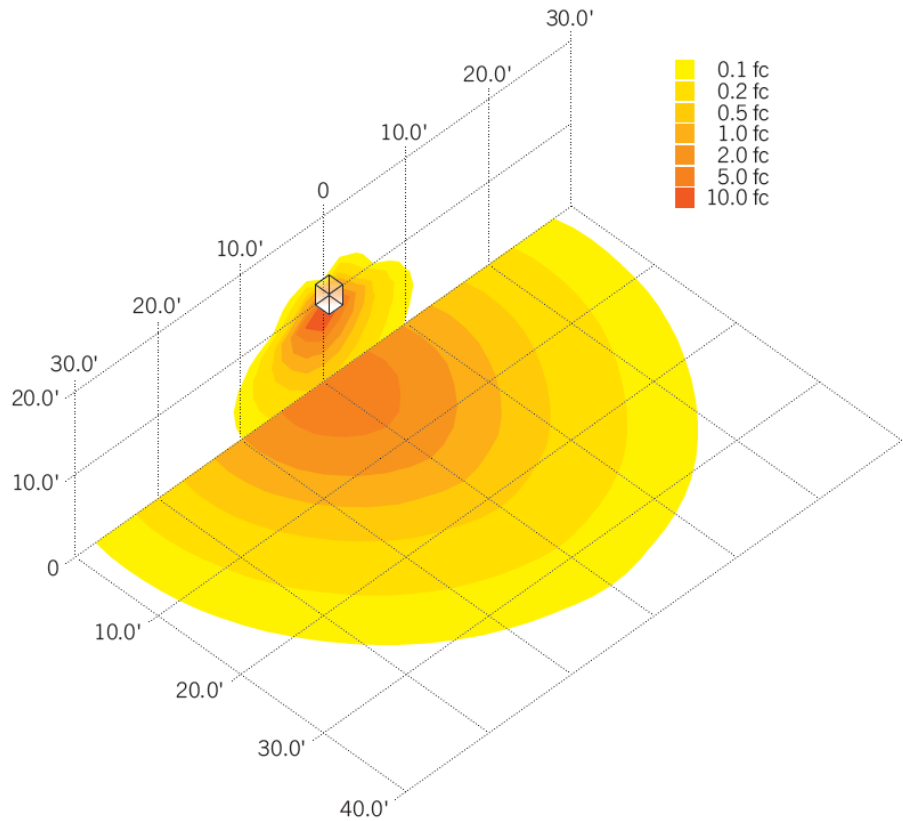
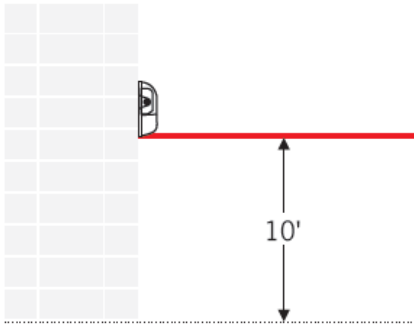
Quadrilateral Symmetrical Luminaire Types

Type V, Area Light B1 U3 G1

* Backlight, Uplight, Glare

light distribution patterns - isometric view from above; luminaire mounted at 10'

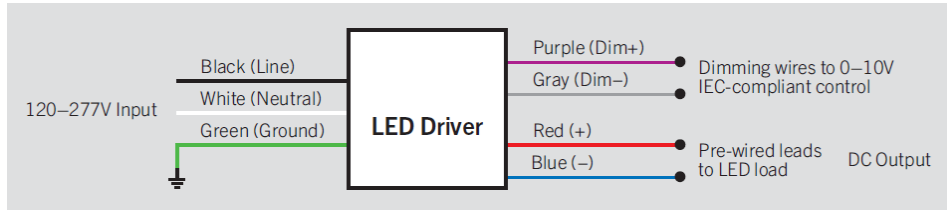
mounting - side view



20W non-cutoff LED wall pack

general setup instructions

general wiring diagram



CAUTION: Before installing, make certain that AC power is off.

CAUTION: The electrical rating of this product is 120-277V. Installer must confirm that there is 120-277V at the fixture before installation

photocell enable/disable

This fixture is equipped with a dust-to-dawn photocell behind the translucent knock-out (KO) cover. Adjust the dip switch to enable (ON) or disable (OFF) the photocell function (see illustration to the right). Fixture comes preset with photocell enabled unless otherwise noted.

(CCT) adjustment

This fixture is equipped with CCT Selection. There is an adjustable dip switch behind the translucent knock-out (KO) cover to change CCT between 5000K, 4000K, and 3000K (see illustration to the right). Fixture comes preset at 5000K unless otherwise noted.

