



Project: \_\_\_\_\_ Type: \_\_\_\_\_

Item. No. \_\_\_\_\_

Location: \_\_\_\_\_

Notes: \_\_\_\_\_

# compact 60W LED

*flood light*



### standard features

#### electrical

- Input operating voltage: 120-277V
- 0-10V dimming
- THD: < 20%
- Power factor > 0.95
- 18" input cable, pre-stripped

#### lighting source

- LED
- CRI > 80
- Adjustable CCT - 3000K, 4000K, and 5000K

#### construction

- Heavy-duty, die cast aluminum housing featuring built-in glare visor and tempered glass lens

#### mounting/installation

- Heavy-duty 1/2" knuckle mount with 90° adjustment yoke and mounting options included

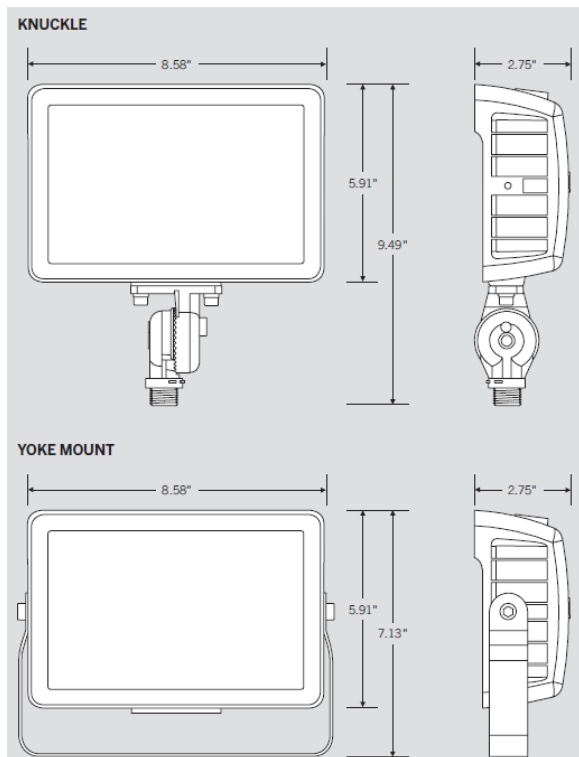
#### other

- Ambient operating temperature: -30°C/-22°F to 45°C/113°F
- Uniform, wide flood design (NEMA 7h x 7w distribution pattern)
- Built-in dusk-to dawn photocell behind translucent 3/4" t-threaded plug with anti-yellowing agent
- Meets FCC Part 15, Part B, class A standards for conducted and radiated emissions

#### warranty/certification

- 5 year warranty
- Fixture impact rating IK07
- UL listed for wet locations, IP65

### dimensions



# compact 60W LED flood light

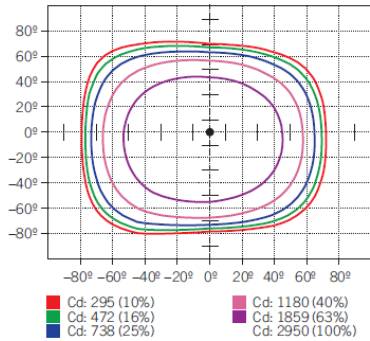
## ordering information

catalog number	color temperature	CRI	lumens	watts	lumens/watt	input voltage^	power factor	dimming	THD **	L70 hours	housing color
FL-LED-R1A-60-8CSB	3000K	>80	1920	60W	122	120-277V	>95%	0-10V	<20%	50,000	bronze
	4000K		2175		143						
	5000K		2100		134						

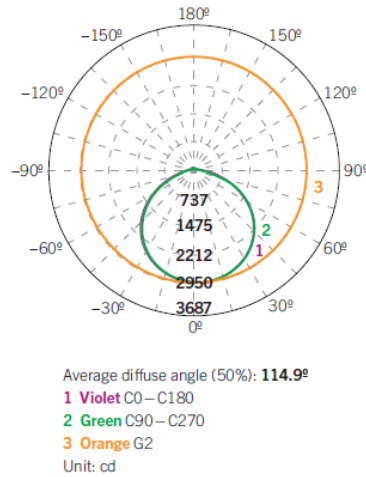
\* Color Uniformity: CCT (Correlated Color Temperature) range as per guidelines outlined in ANSI C78.377-2017

## photometric specifications

### isocandela plot



## luminous intensity distribution



## flux distribution

Zone	Lumens	% Luminaire
<b>Forward Light</b>	4,171 lm	50.8%
0°-30°	1,159 lm	14.1%
30°-60°	2,300 lm	28.0%
60°-80°	699 lm	8.5%
80°-90°	14 lm	0.2%
<b>Back Light</b>	3,981 lm	48.4%
0°-30°	1,146 lm	13.9%
30°-60°	2,200 lm	26.8%
60°-80°	624 lm	7.6%
80°-90°	11 lm	0.1%
<b>Up Light</b>	65 lm	0.8%
90°-100°	3 lm	0.0%
100°-180°	61 lm	0.7%

### BUG\* Rating

#### Asymmetrical Luminaire Types

Type I, II, III, IV B3 U2 G2

#### Quadrilateral Symmetrical Luminaire Types

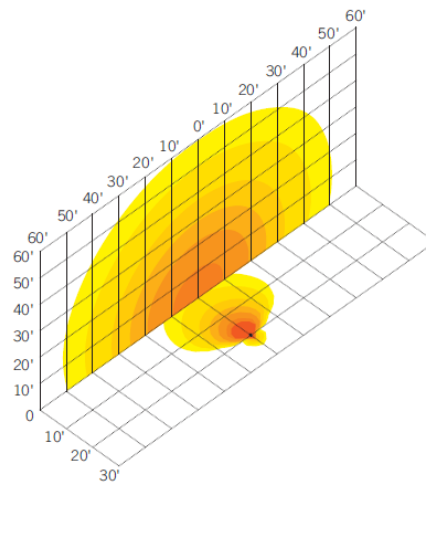
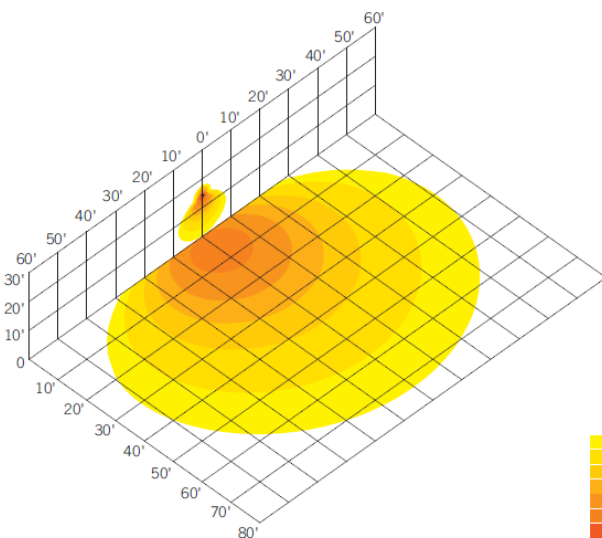
Type V, Area Light B3 U2 G1

\* Backlight, Uplight, Glare

## light distribution patterns - isometric view from above

Building exterior mounted at 15', 30° below horizontal

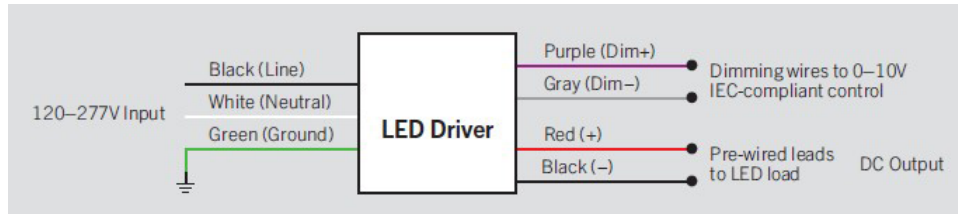
Ground mounted at 6" above ground, 10° above horizontal, shining towards building exterior wall at 20' away



# compact 60W LED flood light

## general setup instructions

### general wiring diagram



**CAUTION:** Before installing, make certain that AC power is off.

**CAUTION:** The electrical rating of this product is 120-277V. Installer must confirm that there is 120-277V at the fixture before installation

### photocell enable/disable

This fixture is equipped with a dusk-to-dawn photocell behind the translucent knock-out (KO) cover. Adjust the dip switch to enable (ON) or disable (OFF) the photocell function (see illustration to the right). Fixture comes preset with photocell enabled unless otherwise noted.

### (CCT) adjustment

This fixture is equipped with CCT Selection. There is an adjustable dip switch behind the translucent knock-out (KO) cover to change CCT between 5000K, 4000K, and 3000K (see illustration to the right). Fixture comes preset at 5000K unless otherwise noted.

