



Project:	Type:
Item. No.	
Location:	
Notes:	

compact 35W LED

flood light

standard features

electrical

- Input operating voltage: 120-277V
- 0-10V dimming
- THD: < 20%
- Power factor > 0.95
- 18" input cable, pre-stripped

lighting source

- LED
- CRI > 80
- Adjustable CCT - 3000K, 4000K, and 5000K

construction

- Heavy-duty, die cast aluminum housing featuring built-in glare visor and tempered glass lens

mounting/installation

- Heavy-duty 1/2" knuckle mount with 90° adjustment yoke and mounting options included

other

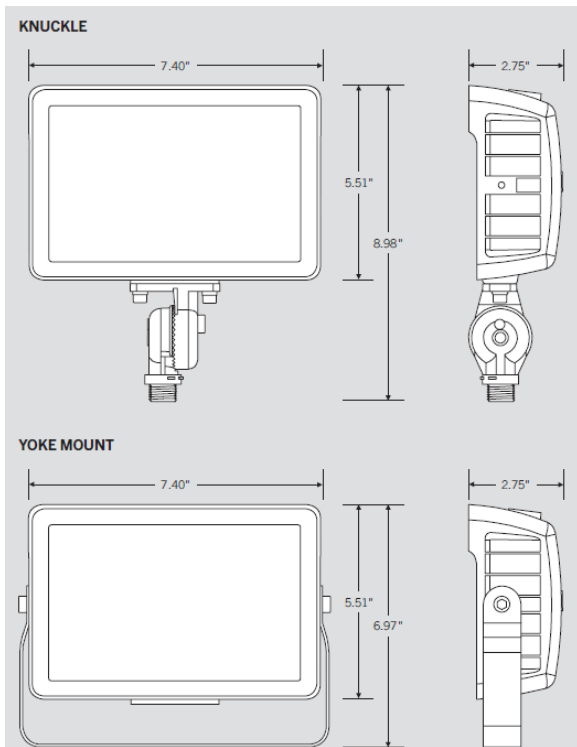
- Ambient operating temperature: -30°C/-22°F to 45°C/113°F
- Uniform, wide flood design (NEMA 7h x 7w distribution pattern)
- Built-in dusk-to dawn photocell behind translucent 3/4" t-threaded plug with anti-yellowing agent
- Meets FCC Part 15, Part B, class A standards for conducted and radiated emissions

warranty/certification

- 5 year warranty
- Fixture impact rating IK07
- UL listed for wet locations, IP65



dimensions



compact 35W LED flood light

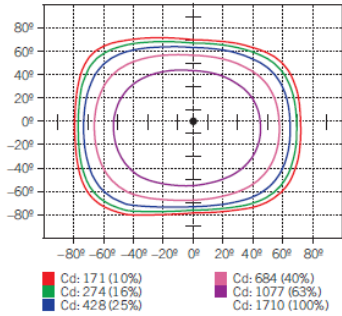
ordering information

catalog number	color temperature	CRI	lumens	watts	lumens/watt	input voltage	power factor	dimming	THD	L70 hours	housing color
FL-LED-R1A-35-8CSB	3000K	>80	1920	35W	128	120-277V	>95%	0-10V	<20%	50,000	bronze
	4000K		2175		145						
	5000K		2100		140						

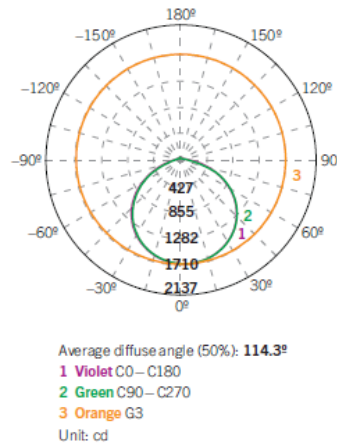
* Color Uniformity: CCT (Correlated Color Temperature) range as per guidelines outlined in ANSI C78.377-2017

photometric specifications

iscandela plot



luminous intensity distribution



flux distribution

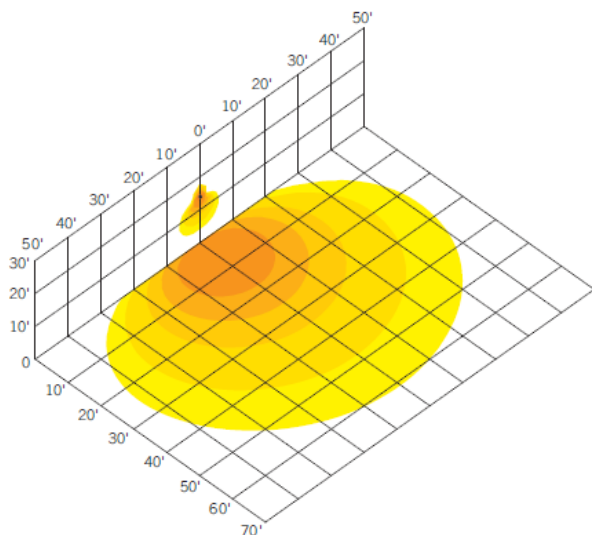
Zone	Lumens	% Luminaire
Forward Light	2,527 lm	53.2%
0°-30°	675 lm	14.2%
30°-60°	1,366 lm	28.8%
60°-80°	471 lm	9.9%
80°-90°	15 lm	0.3%
Back Light	2,181 lm	46.0%
0°-30°	656 lm	13.8%
30°-60°	1,223 lm	25.8%
60°-80°	297 lm	6.3%
80°-90°	5 lm	0.1%
Up Light	39 lm	0.8%
90°-100°	2 lm	0.0%
100°-180°	36 lm	0.8%

BUG* Rating	
Asymmetrical Luminaire Types	
Type I, II, III, IV	B2 U2 G1
Quadrilateral Symmetrical Luminaire Types	
Type V, Area Light	B2 U2 G1

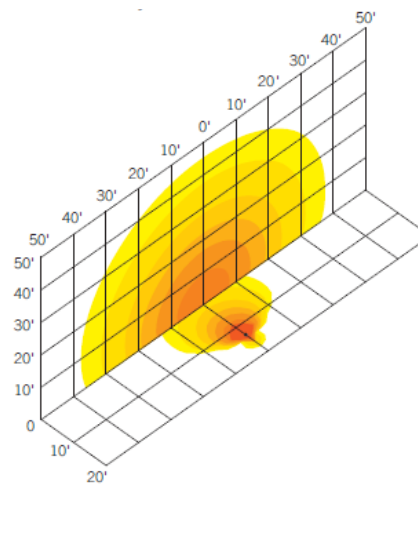
* Backlight, Uplight, Glare

light distribution patterns - isometric view from above

Building exterior mounted at 15', 30° below horizontal



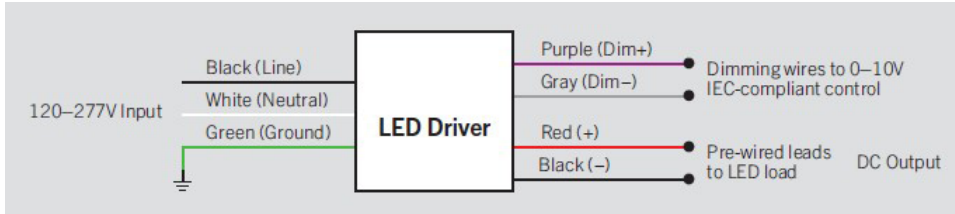
Ground mounted at 6" above ground, 10° above horizontal, shining towards building exterior wall at 14' away



compact 35W LED flood light

general setup instructions

general wiring diagram



CAUTION: Before installing, make certain that AC power is off.

CAUTION: The electrical rating of this product is 120-277V. Installer must confirm that there is 120-277V at the fixture before installation

photocell enable/disable

This fixture is equipped with a dusk-to-dawn photocell behind the translucent knock-out (KO) cover. Adjust the dip switch to enable (ON) or disable (OFF) the photocell function (see illustration to the right). Fixture comes preset with photocell enabled unless otherwise noted.

(CCT) adjustment

This fixture is equipped with CCT Selection. There is an adjustable dip switch behind the translucent knock-out (KO) cover to change CCT between 5000K, 4000K, and 3000K (see illustration to the right). Fixture comes preset at 5000K unless otherwise noted.

