



Project: _____ Type: _____

Item. No. _____

Location: _____

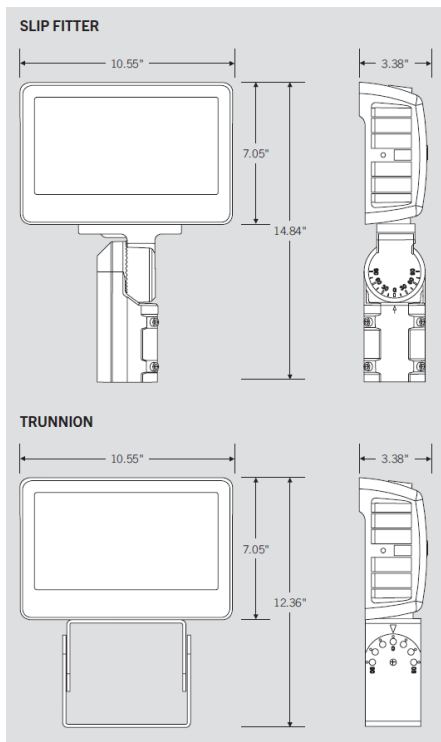
Notes: _____

compact 75W LED

flood light



dimensions



standard features

electrical

- Input operating voltage: 120-277V
- 0-10V dimming
- THD: < 20%
- Power factor > 0.95
- 18" input cable, pre-stripped

lighting source

- LED
- CRI > 80
- Adjustable CCT - 3000K, 4000K, and 5000K

construction

- Heavy-duty, die cast aluminum housing featuring built-in glare visor and tempered glass lens

mounting/installation

- Heavy-duty slip fitter mount and trunion mount options included

other

- Ambient operating temperature: -40°C/-40°F to 45°C/113°F
- Uniform, wide flood design (NEMA 7h x 7w distribution pattern)
- Built-in dusk-to dawn photocell behind translucent 3/4" t-threaded plug with anti-yellowing agent
- Meets FCC Part 15, Part B, class A standards for conducted and radiated emissions

warranty/certification

- 5 year warranty
- Fixture impact rating IK07
- UL listed for wet locations, IP65



compact 75W LED flood light

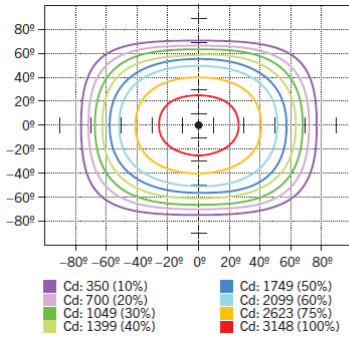
ordering information

catalog number	color temperature	CRI	lumens	watts	lumens/watt	input voltage	power factor	dimming	THD	L70 hours	housing color
FL-LED-R1A-75-8CSB	3000K	>80	9150	75W	122	120-277V	>95%	0-10V	<20%	50,000	bronze
	4000K		10725		143						
	5000K		10050		134						

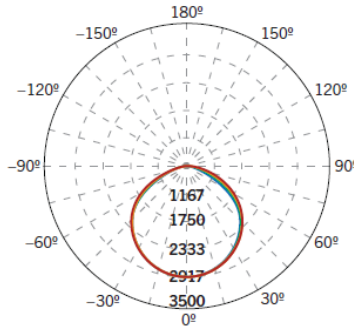
* Color Uniformity: CCT (Correlated Color Temperature) range as per guidelines outlined in ANSI C78.377-2017

photometric specifications

isocandela plot



luminous intensity distribution



Average diffuse angle (50%): 114.2°

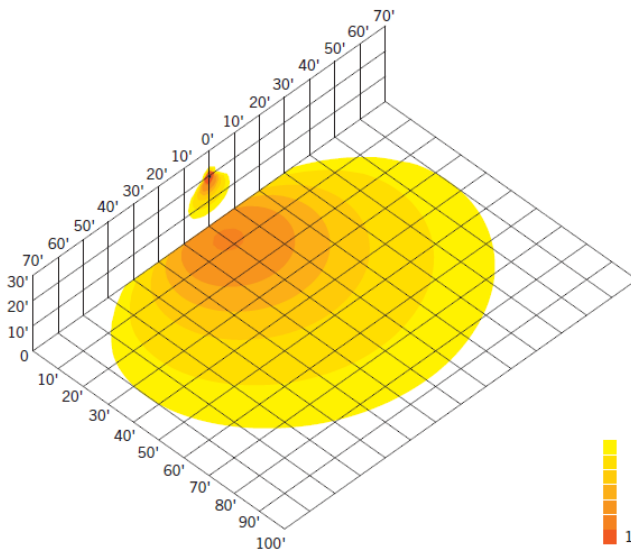
- 1 Blue – 0° H
- 2 Red – 90° H
- 3 Green – 22.5° H
- 4 Orange – 45° H
- 5 Grey – 67.5° H

flux distribution

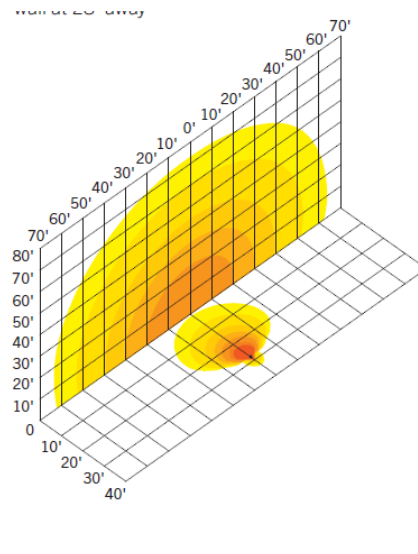
Zone	Lumens	% Luminaire
Forward Light	4,702 lm	49.6%
0°–30°	1,377 lm	14.4%
30°–60°	2,659 lm	27.8%
60°–80°	696 lm	7.3%
80°–90°	10 lm	0.1%
Back Light	4,814 lm	50.4%
0°–30°	1,366 lm	14.3%
30°–60°	2,644 lm	27.7%
60°–80°	788 lm	8.2%
80°–90°	16 lm	0.2%
Up Light	0 lm	0.0%
90°–100°	0 lm	0.0%
100°–180°	0 lm	0.0%

light distribution patterns - isometric view from above

Building exterior mounted at 20', 30°



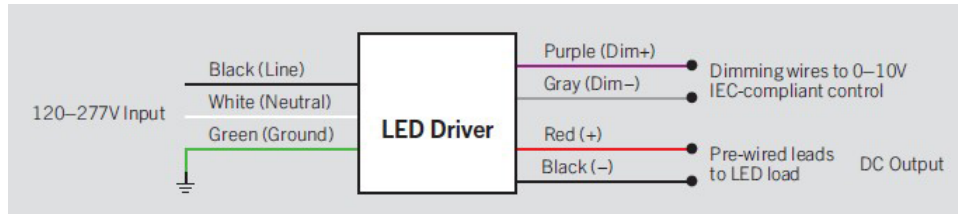
Ground mounted at 6" above ground, 10° above horizontal, shining towards building exterior wall at 28' away



compact 75W LED flood light

general setup instructions

general wiring diagram



CAUTION: Before installing, make certain that AC power is off.

CAUTION: The electrical rating of this product is 120-277V. Installer must confirm that there is 120-277V at the fixture before installation

photocell enable/disable

This fixture is equipped with a dusk-to-dawn photocell behind the translucent knock-out (KO) cover. Adjust the dip switch to enable (ON) or disable (OFF) the photocell function (see illustration to the right). Fixture comes preset with photocell enabled unless otherwise noted.

(CCT) adjustment

This fixture is equipped with CCT Selection. There is an adjustable dip switch behind the translucent knock-out (KO) cover to change CCT between 5000K, 4000K, and 3000K (see illustration to the right). Fixture comes preset at 5000K unless otherwise noted.

