

Project:	Type:
Item. No.	
Location:	
Notes:	

dimmers

lighting controls

standard features

- Electrical rating: 120V, 60Hz
- Power cord: 10' 18/2 SPT-2 (black) with polarized male plug, 24" 18/2 SPT-2 (black) extension with female receptacle
- Finish: black
- Construction: high impact, flame resistant PVC
- Most dimmers rated 300 watts - see description for exceptions
- Units requiring a knob come standard with a small black knob, 3/4" diameter
- Intended for 3/4" panel thickness or less
- UL and cUL

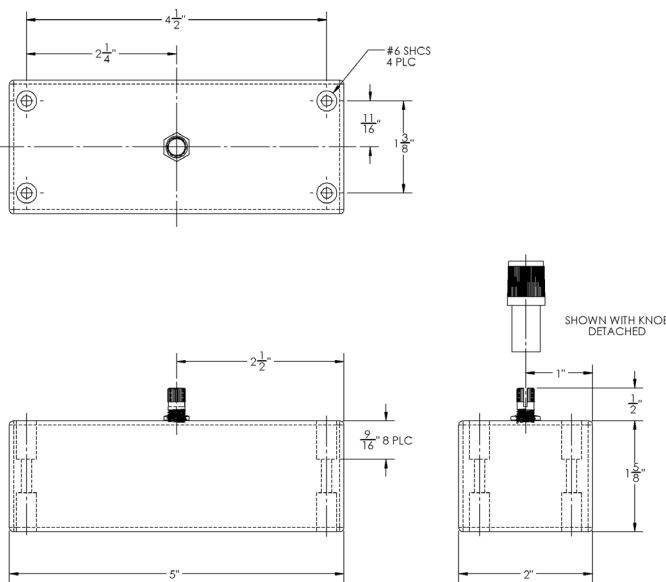
optional features

- Knob extensions
- Contact factory for custom options

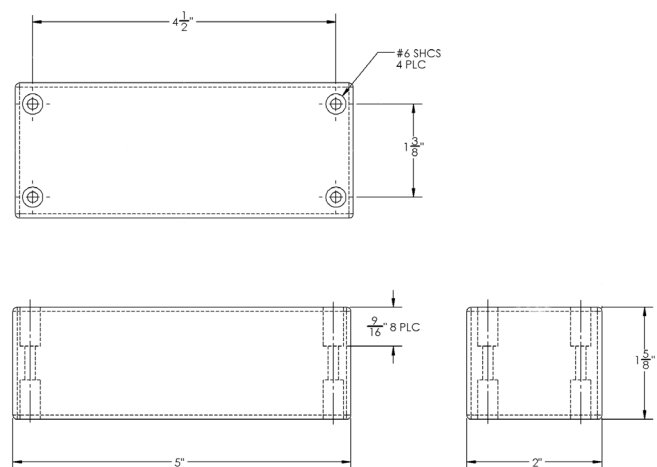


box dimensions

full range rotary dimmer



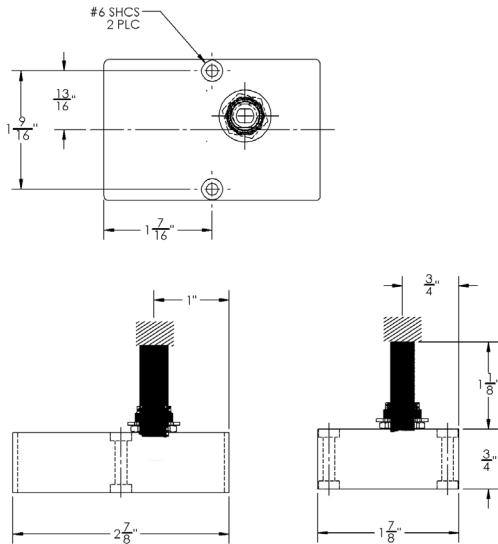
three level touch dimmer



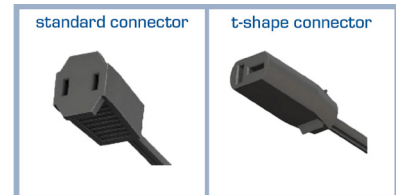
* Recommend 1/2" bore for stem of knob

box dimensions

Hi-Lo dimmer



female connector style



* Recommend 1/2" bore for stem of knob

ordering information

item number t-shape female	item number standard female	catalog number	description
7000-3191	7000-0503	PH3191	Hi-Lo dimmer, 10' power cord, (1) 24" female connector
7000-3291	7000-0919	PH3291	Hi-Lo dimmer, 10' power cord, (2) 24" female connectors
7000-6113	7000-0519	PD6113	Full range rotary dimmer, 10' power cord, (1) 24" female connector
7000-6213	7000-0809	PD6213	Full range rotary dimmer, 10' power cord, (2) 24" female connectors
7000-6313	7000-0798	PD6313	Full range rotary dimmer, 10' power cord, (3) 24" female connectors
7000-6123	7000-0529	PD6123	3-level touch dimmer, 10' power cord, (1) 24" female connector, 12" touch lead with quick connect, 60" extension with spade terminal
7000-6223	7000-0556	PD6223	3-level touch dimmer, 10' power cord, (2) 24" female connectors, 12" touch lead with quick connect, 60" extension with spade terminal
7000-6323	7000-0555	PD6323	3-level touch dimmer, 10' power cord, (3) 24" female connectors, 12" touch lead with quick connect, 60" extension with spade terminal
7000-0805	7000-0922	#211HL	Hi-Lo rollswitch dimmer, 10' power cord with standard male plug, dimmer on cord 24" from female connector - rollswitch holder installed

accessories

touch dimmer leads

item number	catalog number	description
7000-0006	72TL	72" touch lead, quick connect and #8 spade terminal on opposite ends
7000-0007	36TL	36" touch lead, quick connect and #8 spade terminal on opposite ends
7000-0008	12TL	12" touch lead, quick connect and #8 spade terminal on opposite ends

rotary dimmer knobs

item number star shape	item number D-shape	description
350-501	350-460	black knob, 3/4" diameter (recommend 1/2" bore for stem of knob)
350-502	N/A	brown knob, 3/4" diameter (recommend 1/2" bore for stem of knob)
N/A	350-350	brass knob, 3/4" diameter (recommend 1/2" bore for stem of knob)
350-504	350-435	chrome knob, 3/4" diameter (recommend 1/2" bore for stem of knob)
N/A	350-480	gold knob, 3/4" diameter (recommend 1/2" bore for stem of knob)
N/A	350-360	brown with gold inlay knob, 3/4" diameter (recommend 1/2" bore for stem of knob)
N/A	350-330	black with gold inlay knob, 3/4" diameter (recommend 1/2" bore for stem of knob)
350-499	350-400	brown with gold inlay knob, 1 1/4" diameter (recommend 1/2" bore for stem of knob)



For reference: knob insert shape