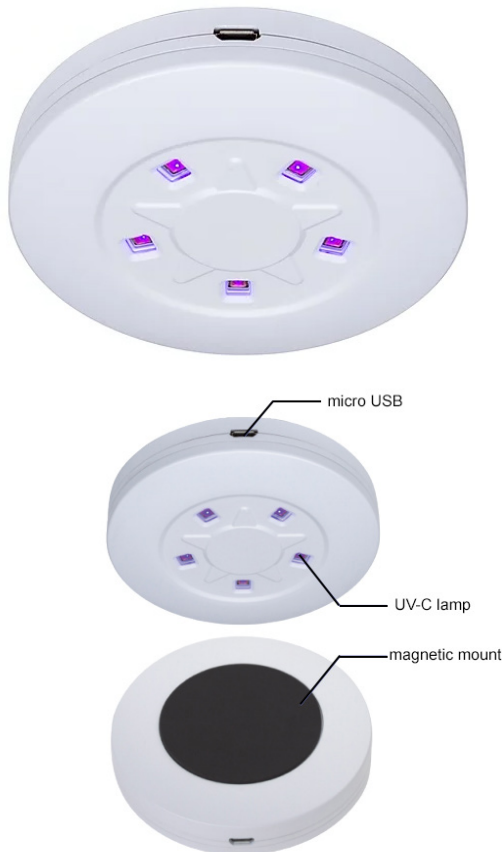


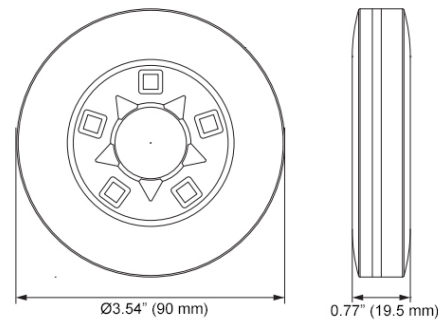
Project:	Type:
Item No.	
Location:	
Notes:	

## UV-C puck light



### standard features

- Input voltage: 5V
- Lamp type: LED
- Wavelength: 275 + 400 nm
- Power: 2.5W
- Battery: 750 mA
- Dimensions: Diameter 3.54" (90 mm) x depth 0.77" (19.5 mm)
- Charging interface: Micro USB
- Timer: 4 minutes
- Sanitizing time: 20-120 seconds
- Sanitizing efficiency: 99.9%
- Controls: Rotate counterclockwise; aim downward
- Installation: Magnetic mount



### ordering information

item number	power	input voltage	battery	lamp	dimensions	wavelength	timer	sanitizing time	sanitizing efficiency	controls
SL-PT-UVC2-2W	2.5W	5V	750 mA	LED	Ø3.54" (90 mm) x 0.77" (19.5 mm)	275 nm + 400 nm	4 minutes	20-120 seconds	99.9%	rotate counterclockwise; aim puck downward

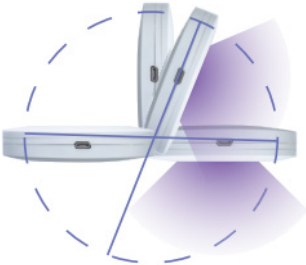
# UV-C puck light

## Operation Instructions - Two-step safety feature

**Step One:** From closed position, twist face-side of puck counter clockwise to expose the UV-C LEDs



**Step Two:** To activate puck UV-C lights, aim exposed LEDs downward



## UV-C Safety Feature

The UV-C light works only when lights are exposed and puck is facing down. When the puck is facing up closed or open, the light will remain off and will not operate..

