

Project: _____ Type: _____

Item No. _____

Location: _____

Notes: _____

UV-C light panel

SL-SC-L-PL10



SL-SC-L-PL11

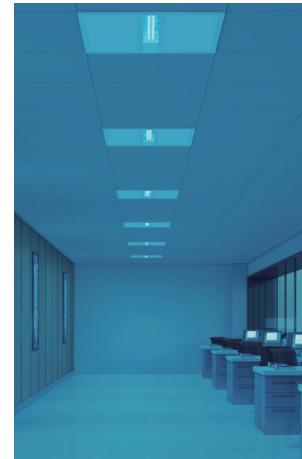
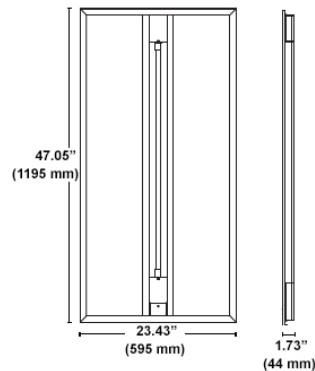
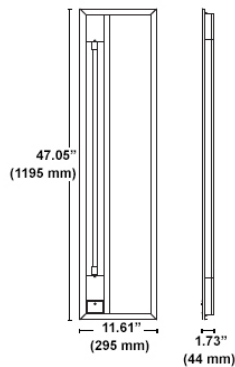
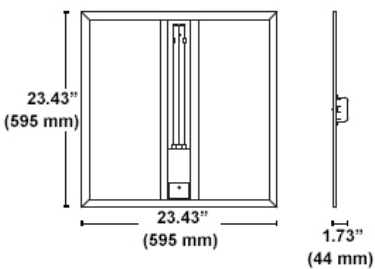


SL-SC-L-PL12



standard features

- Input voltage: 100-240VAC
- Wavelength: 253.7 nm
- Luminaire Power: 36W, 36W, 64W
- Power UV-C mode: 36W, 30W, 30W
- Color temperature: 3000 - 6500K CCT
- Dimmable: 10 - 100%
- Lumens: 3600 lm, 3600 lm, 6400 lm
- Dimensions: 23.43" x 23.43" x 1.73" / 47.05" x 11.61" x 1.73" / 47.05" x 23.43" x 1.73"



UV-C light panel controlled by wall switch, single CCT ordering information

item number	dimensions	voltage	power luminaire	lumens	CCT	dimming	power UV-C mode	base	wavelength
SL-SC-L-PL10-D1	23.43" x 23.43" x 1.73"	100-240VAC	36W	3600 lm	3000K 4000K 6500K	no	36W	2G11	253.7 nm
SL-SC-L-PL11-D1	47.05" x 11.61" x 1.73"	100-240VAC	36W	3600 lm	3000K 4000K 6500K	no	30W	G13	253.7 nm
SL-SC-L-PL12-D1	47.05" x 23.43" x 1.73"	100-240VAC	64W	6400 lm	3000K 4000K 6500K	no	30W	G13	253.7 nm

UV-C light panel

UV-C light panel controlled by remote, single CCT ordering information

item number	dimensions	voltage	power luminaire	lumens	CCT	dimming	power UV-C mode	base	wavelength
SL-SC-L-PL10-D2	23.43" x 23.43" x 1.73"	100-240VAC	36W	3600 lm	3000K 4000K 6500K	no	36W	2G11	253.7 nm
SL-SC-L-PL11-D2	47.05" x 11.61" x 1.73"	100-240VAC	36W	3600 lm	3000K 4000K 6500K	no	30W	G13	253.7 nm
SL-SC-L-PL12-D2	47.05" x 23.43" x 1.73"	100-240VAC	64W	6400 lm	3000K 4000K 6500K	no	30W	G13	253.7 nm

UV-C light panel controlled by wall switch, CCT+dimming controlled by remote ordering information

item number	dimensions	voltage	power luminaire	lumens	CCT	dimming	power UV-C mode	base	wavelength
SL-SC-L-PL10-D3	23.43" x 23.43" x 1.73"	100-240VAC	36W	3600 lm	3000 - 6500K CCT tunable	10-100% dimnable	36W	2G11	253.7 nm
SL-SC-L-PL11-D3	47.05" x 11.61" x 1.73"	100-240VAC	36W	3600 lm	3000 - 6500K CCT tunable	10-100% dimnable	30W	G13	253.7 nm
SL-SC-L-PL12-D3	47.05" x 23.43" x 1.73"	100-240VAC	64W	6400 lm	3000 - 6500K CCT tunable	10-100% dimnable	30W	G13	253.7 nm

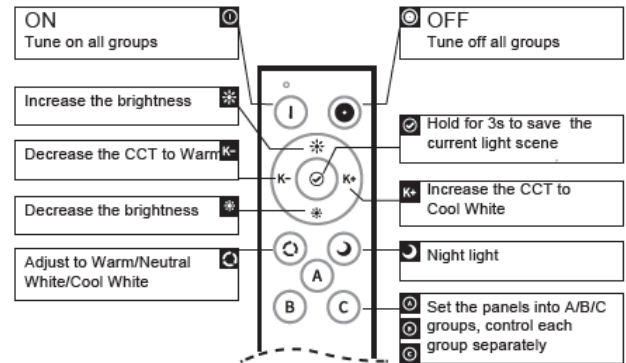
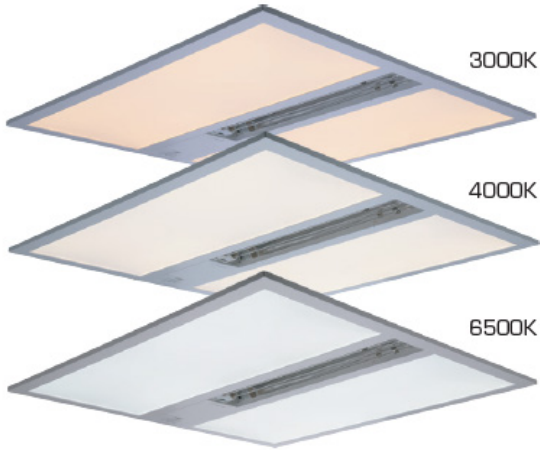
UV-C light panel, CCT & dimming controlled by remote ordering information

item number	dimensions	voltage	power luminaire	lumens	CCT	dimming	power UV-C mode	base	wavelength
SL-SC-L-PL10-D4	23.43" x 23.43" x 1.73"	100-240VAC	36W	3600 lm	3000 - 6500K CCT tunable	10-100% dimnable	36W	2G11	253.7 nm
SL-SC-L-PL11-D4	47.05" x 11.61" x 1.73"	100-240VAC	36W	3600 lm	3000 - 6500K CCT tunable	10-100% dimnable	30W	G13	253.7 nm
SL-SC-L-PL12-D4	47.05" x 23.43" x 1.73"	100-240VAC	64W	6400 lm	3000 - 6500K CCT tunable	10-100% dimnable	30W	G13	253.7 nm

UV-C light panel

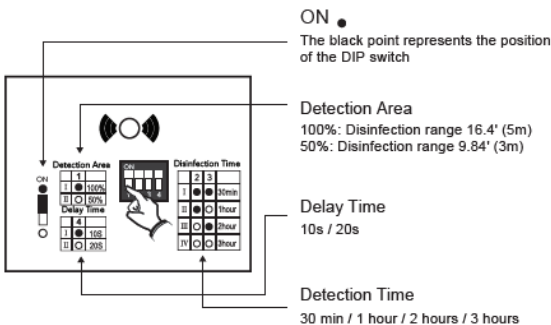
luminaire remote control

3000-6500K CCT tunable
10-100% dimmable

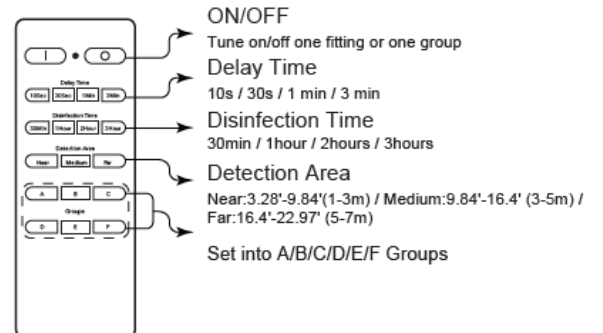


UVC control options

wall switch control



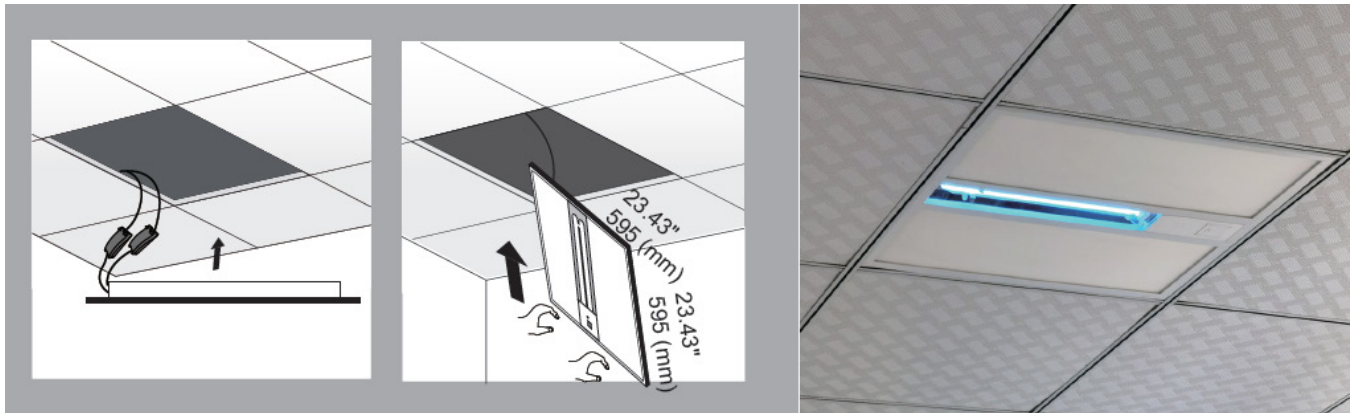
remote control



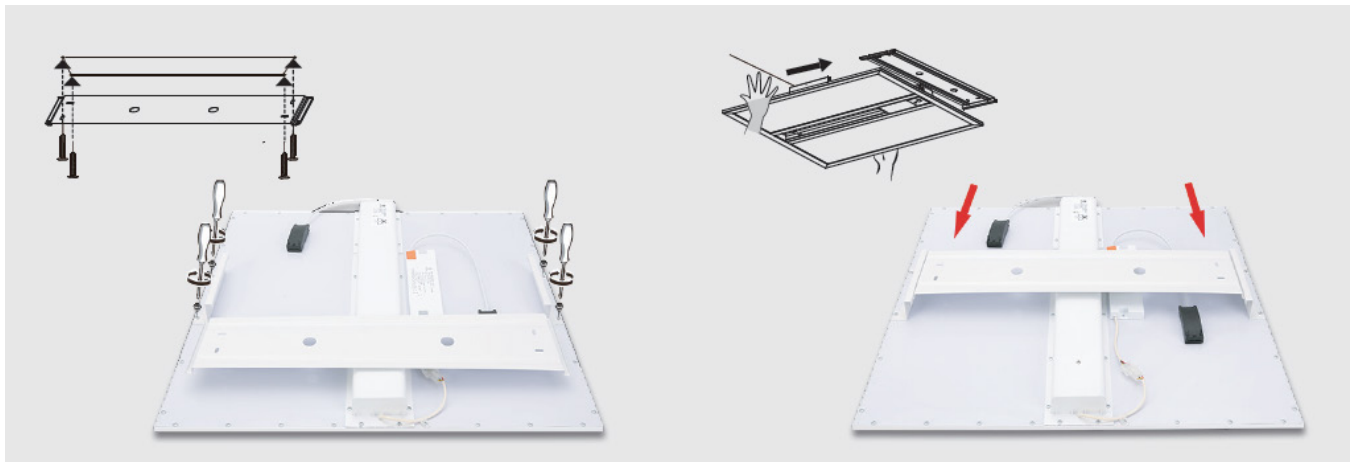
UV-C light panel

installation options

recessed mount



surface mount



motion sensor

The UV-C lamp will automatically shut off when someone approaches the space.

Applications include hospitals, medical buildings, schools, office spaces, conference rooms, hotels, restrooms, kitchens, retail spaces, industrial buildings, restaurants, and public transportation, etc.

