



Project: _____ Type: _____

Item. No. _____

Location: _____

Notes: _____

mini swivel

adjustable downlights

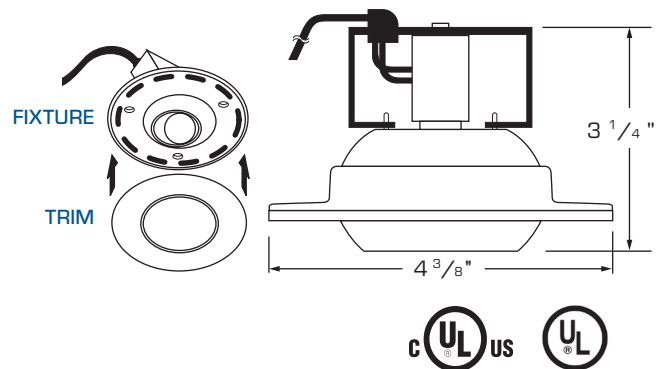
standard features

- Electrical rating: 120V, 60Hz
- Lamp: 40R14N (reflector type)
- Power Cord: 18/2 SPT-2 (black)
- Finish: Painted: black (BK), white (WH)
Plated: polished chrome (PC)
- Construction: steel
- Installation method: screw holes located on fixture; installation hole diameter 2 7/8"
- Height: 3" (excluding the eyeball)
- Diameter (overall, including flange): 4 3/8"
- UL and cUL

optional features

- 35HR16N halogen lamp
- Contact factory for custom options

Fixtures require either a power cordset or an appropriate control device. See ordering information below.



ordering information

| item number | catalog number | description | finish | lamp |
|-------------|----------------|--------------------------|-----------------|--------|
| 2200-0000 | MS40-3-BK | 24" male & female t-plug | black | 40R14N |
| 2200-0001 | MS40-3-WH | 24" male & female t-plug | white | 40R14N |
| 2200-0003 | MS40-3-PC | 24" male & female t-plug | polished chrome | 40R14N |
| 2200-0010 | MS40-4-BK | 24" male t-plug | black | 40R14N |
| 2200-0011 | MS40-4-WH | 24" male t-plug | white | 40R14N |
| 2200-0013 | MS40-4-PC | 24" male t-plug | polished chrome | 40R14N |

power cordset ordering information

| item number w/ female t-plug | catalog number | description |
|---------------------------------|----------------|---|
| 7000-0002 | #211 cordset | 10' cord with standard male plug, rollswitch, & rollswitch holder |

See Control Devices and Accessories spec sheets for additional options.

replacement lamps

| item number | description |
|-------------|-----------------------------|
| 398-1320 | 40R14N (intermediate base) |
| 398-970 | 35HR16N (intermediate base) |