



# steel surface-mount kit for round LED high bay

accessories

Project: \_\_\_\_\_ Type: \_\_\_\_\_

Item. No. \_\_\_\_\_

Location: \_\_\_\_\_

Notes: \_\_\_\_\_

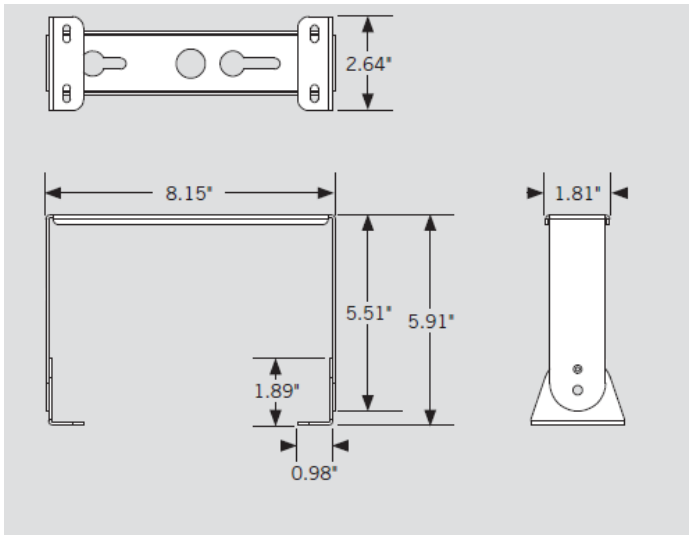


**standard features**

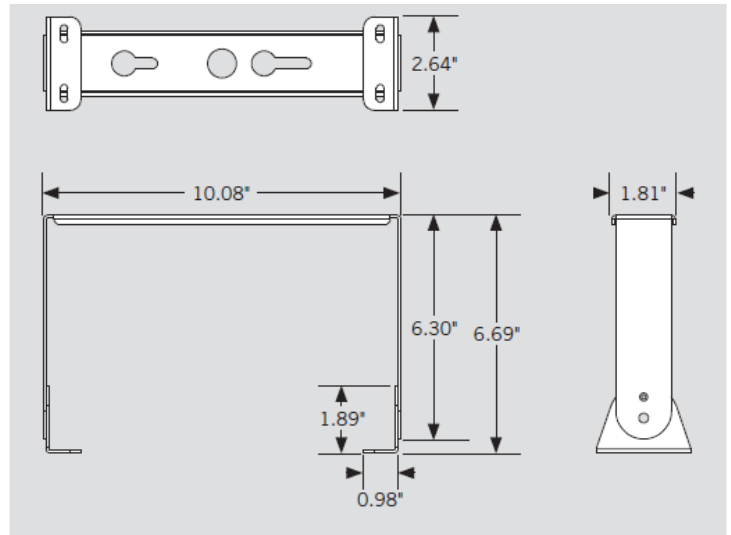
- Includes mounting hardware
- Warranty: 5 years

**dimensions**

**12" steel surface-mount (kit 1)**



**14" steel surface-mount (kit 2)**



**ordering information**

catalog number	description
SL-RHLED-SM-1-KIT/G2	steel surface-mount kit for 100W-150W, 12" round LED high bay fixtures; includes mounting hardware
SL-RHLED-SM-2-KIT/G2	steel surface-mount kit for 200W, 14" round LED high bay fixtures; includes mounting hardware