



Project: \_\_\_\_\_ Type: \_\_\_\_\_

Item. No. \_\_\_\_\_

Location: \_\_\_\_\_

Notes: \_\_\_\_\_

**clear polycarbonate dome reflector  
for round LED high bay**

*accessories*



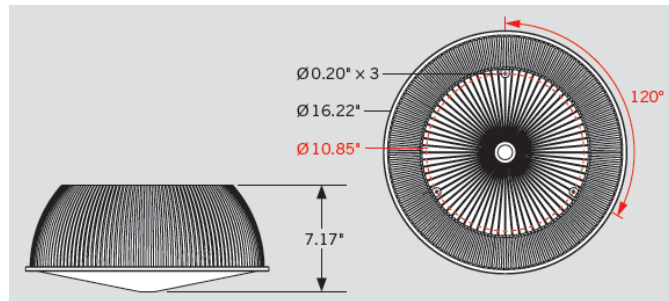
**standard features**

- 90° beam angle
- Includes mounting hardware
- Warranty: 5 years

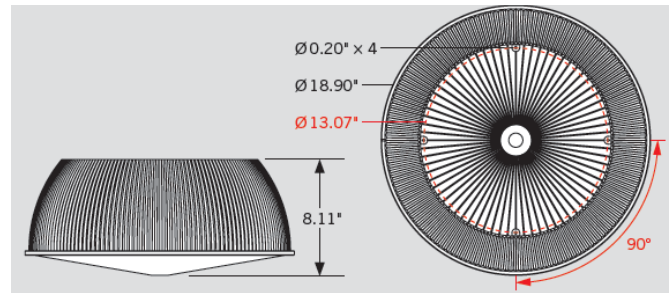


**dimensions**

**12" dome reflector (kit 1)**



**14" dome reflector (kit 2)**



**ordering information**

catalog number	description
<b>SL-RHLED-CL90-1-KIT/G2</b>	clear polycarbonate dome reflector for 100W-150W, 12" round LED high bay fixtures; includes mounting hardware
<b>SL-RHLED-CL90-2-KIT/G2</b>	clear polycarbonate dome reflector for 200W, 14" round LED high bay fixtures; includes mounting hardware