



Project:	Type:
Item. No.	
Location:	
Notes:	

4' LED retrofit strip kit

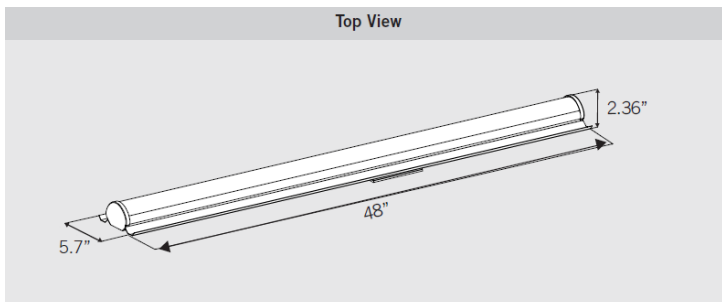
LED strip lighting



standard features

- Input voltage: 120V-277V
- Wattage: 32W
- 0-10V dimming LED driver, 10% minimum
- THD: <20%
- Power factor: >0.9
- 50,000 hour rated life
- Ambient operating temperature: -20°C/-4°F to 50°C/122°F
- Frosted lens eliminates glare
- Color temperature: 3500K, 4000K, or 5000K
- Installation brackets included
- Narrow profile, upgrade existing 4" fixtures without modifying the existing fixture mounting
- Compatible with emergency LED drivers
- Eligible for DLC multiple listing

dimensions



ordering information

catalog number	input volatage	wattage	color temperature	lumen output	CRI	power factor	efficacy
SL-SRK-LED-4-32-835	120-277V	32W	3500K	4160	>80	>0.9	130 lm/W
SL-SRK-LED-4-32-840	120-277V	32W	4000K	4220	>80	>0.9	132 lm/W
SL-SRK-LED-4-32-850	120-277V	32W	5000K	4350	>80	>0.9	136 lm/W
SL-SRK-LED-4-46-835	120-277V	46W	3500K	5930	>80	>0.9	129 lm/W
SL-SRK-LED-4-46-840	120-277V	46W	4000K	6020	>80	>0.9	130 lm/W
SL-SRK-LED-4-46-850	120-277V	46W	5000K	6200	>80	>0.9	134 lm/W
SL-SRK-LED-4-55-835	120-277V	55W	3500K	7150	>80	>0.9	130 lm/W
SL-SRK-LED-4-55-840	120-277V	55W	4000K	7260	>80	>0.9	132 lm/W
SL-SRK-LED-4-55-850	120-277V	55W	5000K	7370	>80	>0.9	134 lm/W