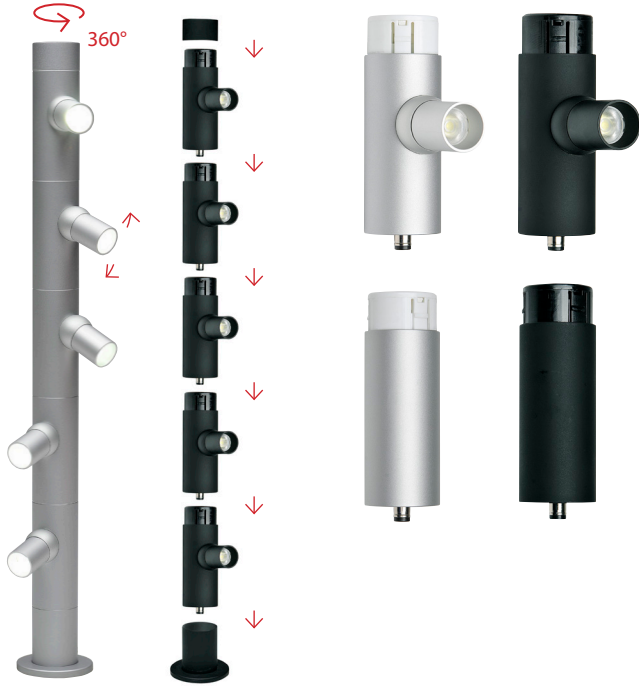




Project:	Type:
Item No.	
Location:	
Notes:	

stack



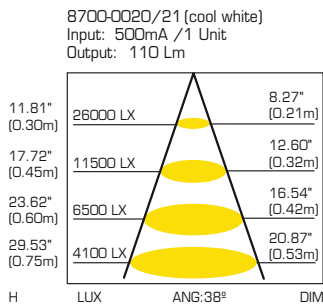
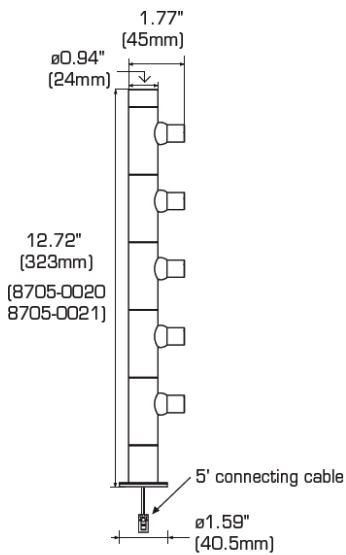
standard features

- Operating current: 500mA
- Lamp type: LED
- Lamp color temperature: cool white (CW)
- Lumens: 110 per module
- Power supply: constant current driver, 500mA, 12w
- Finish: Black (BK) or Satin Aluminum (SA)
- Construction: aluminum alloy
- Beam angle: 38°
- Life: > 35,000 hours
- Adjustable beam direction
- Maximum 6 LED modules per driver
- Designed for open shelf displays, cabinets, cases, & retail windows



ordering information

item number	rated input	power	no. of LED	description	finish
8700-0020	500mA	1.8W	1pc	single module	SA
8700-0021	500mA	1.8W	1pc	single module	BK
8700-0022				blank section	SA
8700-0023				blank section	BK
8700-0024				power base w/ 5' connecting cable & top cap	SA
8700-0025				power base w/ 5' connecting cable & top cap	BK
8900-0030	12W driver, constant current, 500mA, 100-240V, with 8 port connector (JBI), 5' power cord with detachable plug dimensions: 4 3/4" L x 1 3/4" W x 3/4" H				



8900-0030

kits (includes driver)

item number	rated input	power	no. of LED	description	finish
8705-0020	500mA	9W	5pc	complete 5 module fixture	SA
8705-0021	500mA	9W	5pc	complete 5 module fixture	BK

NOTE: Kits include power base with 5' connecting cable, top cap, LED modules and driver.

installation diagram

