



Project:	Type:
Item. No.	
Location:	
Notes:	

single side mount

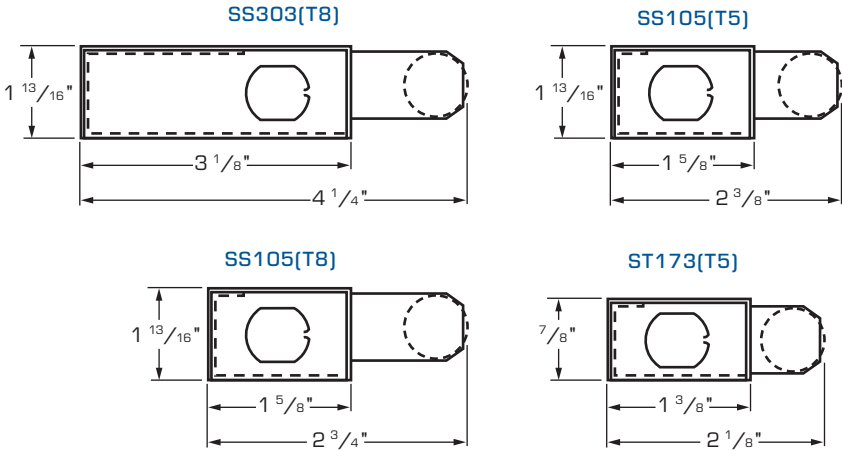
strip lights

standard features

- Electrical rating: 120 volt, 60Hz
- Lamp: T5 or T8 (not included)
- Ballast: electronic
- Power cord: 10' 16/3 SPT (white)
- Finish: white baked enamel
- Construction: heavy gauge steel channels
- Installation method: screw holes located in fixture body
- Available in a variety of lengths
- UL and cUL

options

- Ballasts for other voltage requirements
- Romex connector for hardwiring by an electrician
- Female connecting cables to link adjacent fixtures
- Switches and sensors
- Mounting tabs
- Contact factory for custom options
- Lamps sold separately



ordering information

item number	catalog number	lamps (not included)		length	dimensions	
		quantity	type		width	height
4001-1000	SS303-1518E1T8	1	F15T8	18"	3 1/8"	1 13/16"
4001-1010	SS303-1724E1T8	1	F17T8	24"	3 1/8"	1 13/16"
4001-1020	SS303-2536E1T8	1	F25T8	36"	3 1/8"	1 13/16"
4001-1030	SS303-3248E1T8	1	F32T8	48"	3 1/8"	1 13/16"
4001-1040	SS303-4060E1T8	1	F40T8	60"	3 1/8"	1 13/16"
4001-1050	SS303-5072E2T8	2	F25T8 (T)	72"	3 1/8"	1 13/16"
4001-1060	SS303-6496E2T8	2	F32T8 (T)	96"	3 1/8"	1 13/16"
4001-1100	SS105-1422E1T5	1	F14T5	22"	1 5/8"	1 13/16"
4001-1110	SS105-2134E1T5	1	F21T5	34"	1 5/8"	1 13/16"
4001-1120	SS105-2846E1T5	1	F28T5	46"	1 5/8"	1 13/16"
4001-1130	SS105-1724E1T8	1	F17T8	24"	1 5/8"	1 13/16"
4001-1140	SS105-2536E1T8	1	F25T8	36"	1 5/8"	1 13/16"
4001-1150	SS105-3248E1T8	1	F32T8	48"	1 5/8"	1 13/16"
4001-1200	SS173-0812E1T5	1	F8T5	12 5/32"	1 3/8"	7/8"
4001-1220	SS173-1422E1T5	1	F14T5	22 7/16"	1 3/8"	7/8"
4001-1230	SS173-1624E2T5*	2	F8T5 (T)	24 5/16"	1 3/8"	7/8"
4001-1240	SS173-2133E2T5*	2	(1)F8T5 & (1)F13T5 (T)	33 5/16"	1 3/8"	7/8"
4001-1250	SS173-2134E1T5	1	F21T5	34 9/32"	1 3/8"	7/8"
4001-1270	SS173-2846E1T5	1	F28T5	46 1/16"	1 3/8"	7/8"
4001-1280	SS173-3558E1T5	1	F35T5	57 13/16"	1 3/8"	7/8"

*Denotes custom order - minimum quantities apply.

(T) denotes tandem lamps.

See Lamps spec sheet for additional options.