



Project:	Type:
Item. No.	
Location:	
Notes:	

LOVO/LUX

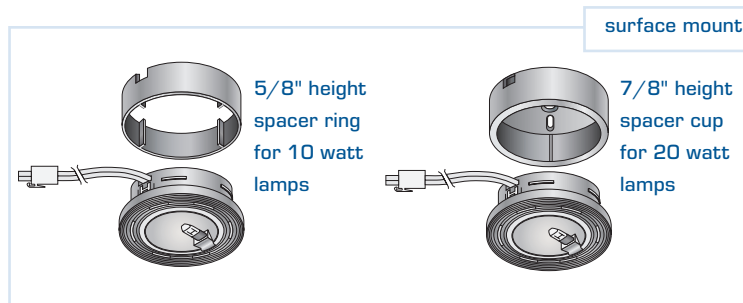
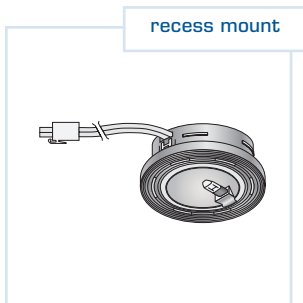
accent lights

standard features

- Electrical rating: 12 volt
- Lamp: 10 watt or 20 watt JCD, G4 base
- Finish: black, brass, chrome, and white,
- Installation method:
 - Recess mount with press fit or screws (supplied).
 - Installation hole diameter should be $2\frac{1}{8}$ "
 - Surface mount using $\frac{5}{8}$ " height spacer ring for 10 watt fixtures or $\frac{7}{8}$ " height spacer cup for 20 watt fixtures
- Fixtures have black 8 ft. lead wire with connector
- Tempered frosted glass lens
- Soft start 60 watt electronic safety transformer with overload and short circuit protection
- Transformers have 10' 18/2 SPT-2 (black) power cord with on/off rollswitch located 5' from male plug. Includes a 24" lead with a six port terminal block to connect up to six fixtures. Maximum of three 20 watt fixtures or six 10 watt fixtures.
- UL and cUL

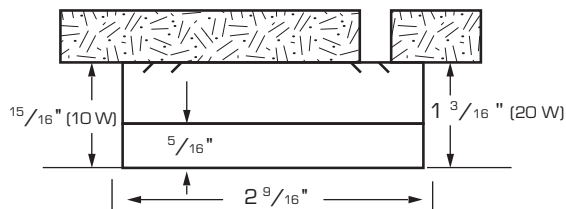
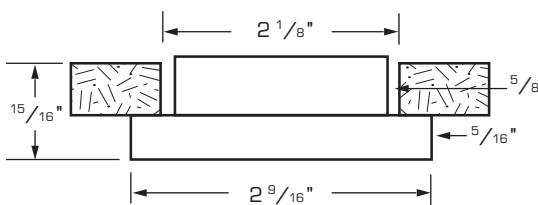
options

- Xenon lamp
- Clear lens
- Custom kits



cross section for recess mounting

cross section for surface mounting



ordering information: individual components

item number	catalog number	description	lamp
1000-5112	LV5112	brass fixture	10 watt
1000-5212	LV5212	chrome fixture	10 watt
1000-5312	LV5312	black fixture	10 watt
1000-5412	LV5412	white fixture	10 watt
1000-5122	LV5122	brass fixture	20 watt
1000-5222	LV5222	chrome fixture	20 watt
1000-5322	LV5322	black fixture	20 watt
1000-5422	LV5422	white fixture	20 watt
354-545	LVS105	brass spacer ring	use with 10 watt
354-555	LVS205	chrome spacer ring	use with 10 watt
354-565	LVS305	black spacer ring	use with 10 watt
354-575	LVS405	white spacer ring	use with 10 watt
354-546	LVS125	brass spacer cup	use with 20 watt
354-556	LVS225	chrome spacer cup	use with 20 watt
354-566	LVS325	black spacer cup	use with 20 watt
354-576	LVS425	white spacer cup	use with 20 watt
1000-0515	LT4065	60 watt transformer with rollswitch	N/A
499-4170	LVB000	transformer mounting base	N/A

ordering information: sets

item number	catalog number	description	lamp
1002-5124	2SLV5124	Brass - set of 2 (includes spacer cups)	20 watt
1002-5224	2SLV5224	Chrome- set of 2 (includes spacer cups)	20 watt
1002-5324	2SLV5324	Black - set of 2 (includes spacer cups)	20 watt
1002-5424	2SLV5424	White- set of 2 (includes spacer cups)	20 watt
1003-5124	3SLV5124	Brass - set of 3 (includes spacer cups)	20 watt
1003-5224	3SLV5224	Chrome - set of 3 (includes spacer cups)	20 watt
1003-5324	3SLV5324	Black - set of 3 (includes spacer cups)	20 watt
1003-5424	3SLV5424	White- set of 3 (includes spacer cups)	20 watt
1006-5114	6SLV5114	Brass - set of 6 (includes spacer rings)	10 watt
1006-5214	6SLV5214	Chrome - set of 6 (includes spacer rings)	10 watt
1006-5314	6SLV5314	Black - set of 6 (includes spacer rings)	10 watt
1006-5414	6SLV5414	White - set of 6 (includes spacer rings)	10 watt

Sets include fixtures, spacer cup or ring, transformer, mounting base, lamps, mounting screws, and instructions.

accessories & replacement lamps

item number	catalog number	description
398-95	LVL010	10 watt lamp, G4 base
398-375	LVL020	20 watt lamp, G4 base
398-90	12V G4 10W (xenon)	10 watt, 12V, G4 (xenon)
398-380	12V G4 20W (xenon)	20 watt, 12V, G4 (xenon)
354-590	N/A	Brass trim ring with frosted lens
354-600	N/A	Chrome trim ring with frosted lens
354-610	N/A	Black trim ring with frosted lens
354-620	N/A	White trim ring with frosted lens
354-640	N/A	Clear lens
354-645	N/A	Frosted lens