



Project: _____ Type: _____

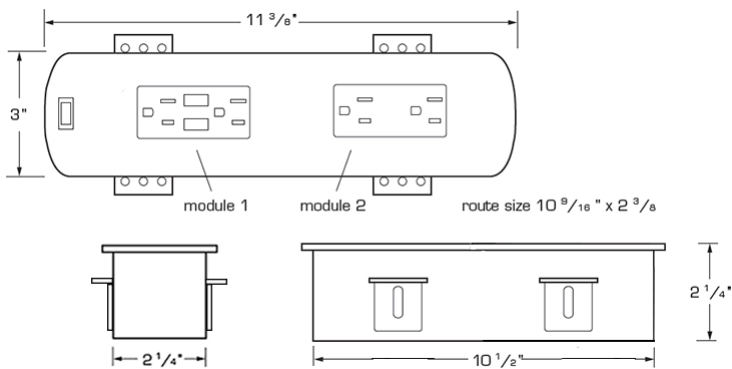
Item. No. _____

Location: _____

Notes: _____

DPCL2

designer power communication series



specifications

electrical

- Electrical rating: 120V, 60Hz
- Power cord: 10' 14/3 SJT (black) with right angle NE plug
- Tamper-resistant outlets (meets NEC requirements)
- Powered USB (A-style) – compatible with USB 2.0 & 3.0 devices
- Switch/breaker combo (SW)

construction

- Metal
- Finish: black

mounting/installation

- 2 mounting brackets (when installed, no exposed hardware), adjustable for different panel thickness (min 1/2" – max 1 1/4")
- Recess mount only – see drawing for route size

warranty/certification

- 1 year
- UL and cUL

options

- Hospital grade outlets and power cord
- Surge suppression (SS)
- Female connector (FC)
- The following options are available – minimums may apply
 - Circuit breaker (BR)
 - Rockerswitch (RKS) or switch/breaker combo (SW)
 - Non-powered pass-thru telephone, data, HDMI, etc.
 - Finishes below, other than standard black



ordering information (DPCL2-C1-A1-1-BK)

product	model	module 1 module type & color	module 2 module type & color	power cord	finish	surge	options
DPCL	2	C1	A1	1	BK		
DPCL	2 2 modules	A-J 15A O-W 20A color options 1 black 2 ivory 3 light almond 4 nickel* 5 white 6 grey* 7 red* *not available for all modules	A-J 15A O-W 20A color options 1 black 2 ivory 3 light almond 4 nickel* 5 white 6 grey* 7 red*	1 10' 14/3 SJT (standard with 15A modules) 2 10' 14/3 SJT-HG 3 10' 12/3 SJT-20A (standard with 20A modules) 4 10' 12/3 SJT-HG	BK black (standard) IV ivory LA light almond NK nickel WH white	blank none SS surge	blank none FC female connector BR breaker RKS rocker switch 5E RJ45 data 6 RJ45 data USB non-powered pass-thru

module selection

15A modules – for use with 14/3 power cord



A
two outlets



C
two outlets
two charging
USBs
(3.1A total
charging
capacity)



H
Hospital Grade
two outlets



J
Hospital Grade
two outlets
two charging
USBs
(3.1A total
charging
capacity)

20A modules – for use with 12/3 power cord



O
two outlets



Q
two outlets
two charging
USBs
(3.1A total
charging
capacity)



U
Hospital Grade
two outlets



W
Hospital Grade
two outlets
two charging
USBs
(3.1A total
charging
capacity)

color options for modules



1 = black
(standard)



2 = ivory



3 = light almond



4 = nickel*



5 = white



6 = grey*



7 = red*

*not available for all modules