


Instruction Manual

Series: PROEDGE

Attentions:

 Read the instruction carefully before installation. non-observance of this instruction may cause damage to the fixture or hurt to human body. The installation must be carried out by a qualified electrician in accordance with local or national codes. Cut off the power supply before installation and maintenance!

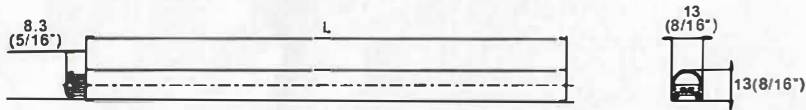
Regularly check the light source, the LED power supply, the cord and other accessories. If any part is damaged, the product should not be used.

Keep this instruction manual handy for future use.

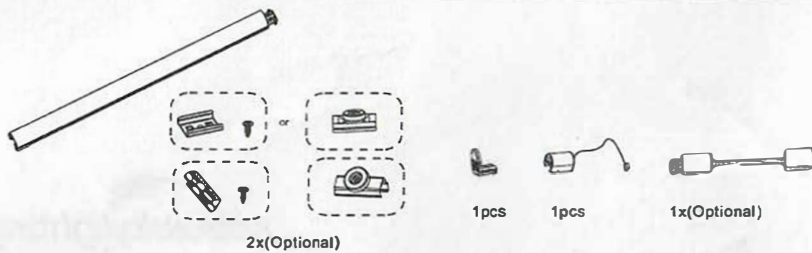
The light source of these product are non-changeable light diodes(LED). Do not disassemble the product, as the light diode can cause damage to the eyes. The production is only for indoor and dry location.

CAUTION: To reduce the risk of fire, do not install in a compartment smaller than a by b by c inches.
AVERTISSEMENT: Afin d'éviter tout risques d'incendie, ne pas installer dans un compartiment plus petit que a inch, par b inch, par c inch. *
 Use only with SELV power supply or Class 2 power supply (For USA market)

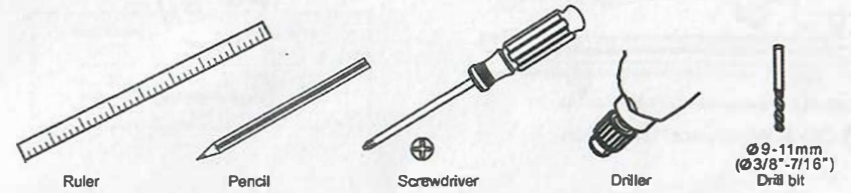
Dimension in mm(inch)



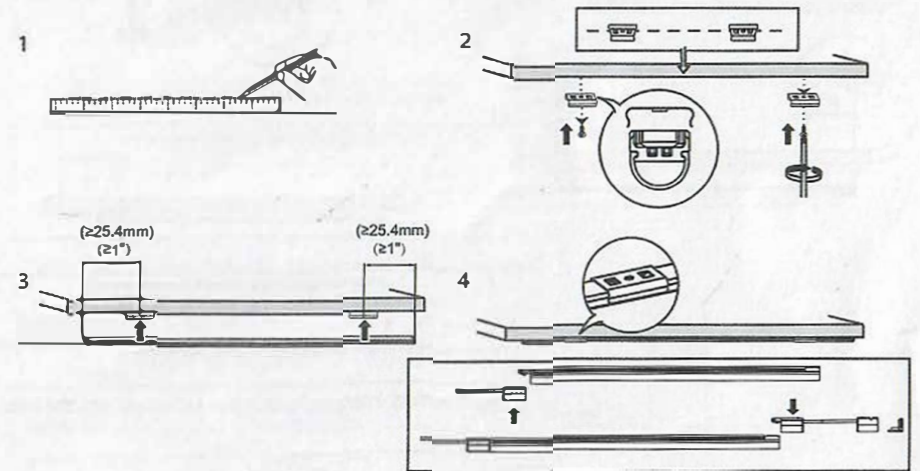
Model	Rated input	Power	Length(L)	Min. installation space(axbxc)	ta	Max. Linkable No.
EDGE-12D2790-110S-C (CCT: 2700K)	24VDC	4W	300 (11-13/16")	320x30x30 (12-5/8"x1-3/16"x1-3/16")	-20...+35°C (-4...+95°C)	12 PCS
EDGE-12D3090-110S-C (CCT: 3000K)	24VDC	4W	300 (11-13/16")	320x30x30 (12-5/8"x1-3/16"x1-3/16")	-20...+35°C (-4...+95°C)	12 PCS
EDGE-12D3590-110S-C (CCT: 3500K)	24VDC	4W	300 (11-13/16")	320x30x30 (12-5/8"x1-3/16"x1-3/16")	-20...+35°C (-4...+95°C)	12 PCS
EDGE-12D4090-110S-C (CCT: 4000K)	24VDC	4W	300 (11-13/16")	320x30x30 (12-5/8"x1-3/16"x1-3/16")	-20...+35°C (-4...+95°C)	12 PCS
EDGE-23D3090-110S-C (CCT: 3000K)	24VDC	7.5W	570 (22-7/16")	590x30x30 (23-1/4"x1-3/16"x1-3/16")	-20...+35°C (-4...+95°C)	6 PCS
EDGE-23D4090-110S-C (CCT: 4000K)	24VDC	7.5W	570 (22-7/16")	590x30x30 (23-1/4"x1-3/16"x1-3/16")	-20...+35°C (-4...+95°C)	6 PCS



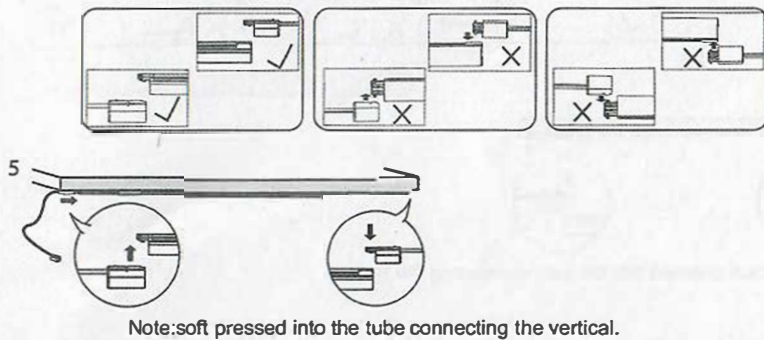
Tools



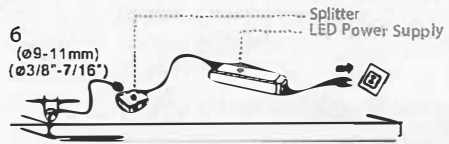
Clip 1: Wood panel installation



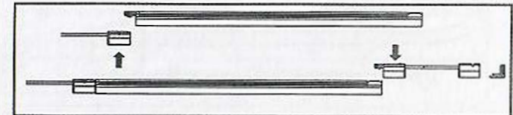
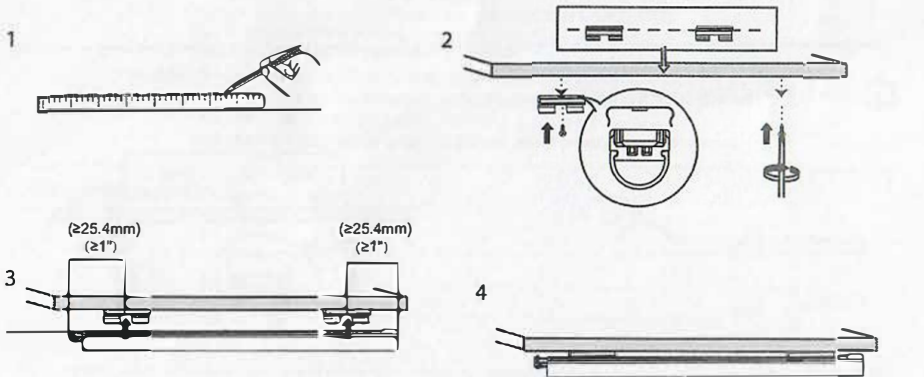
Note:vertical interconnection lines pressed into the tube.



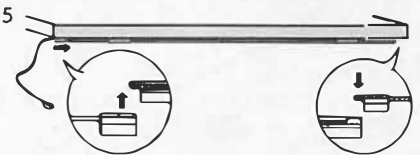
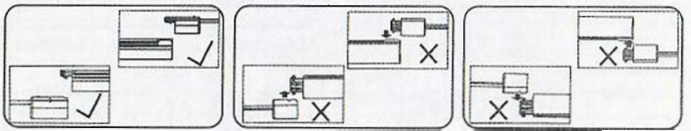
PROEDGE Installation Instructions



Clip 2: Wood panel installation

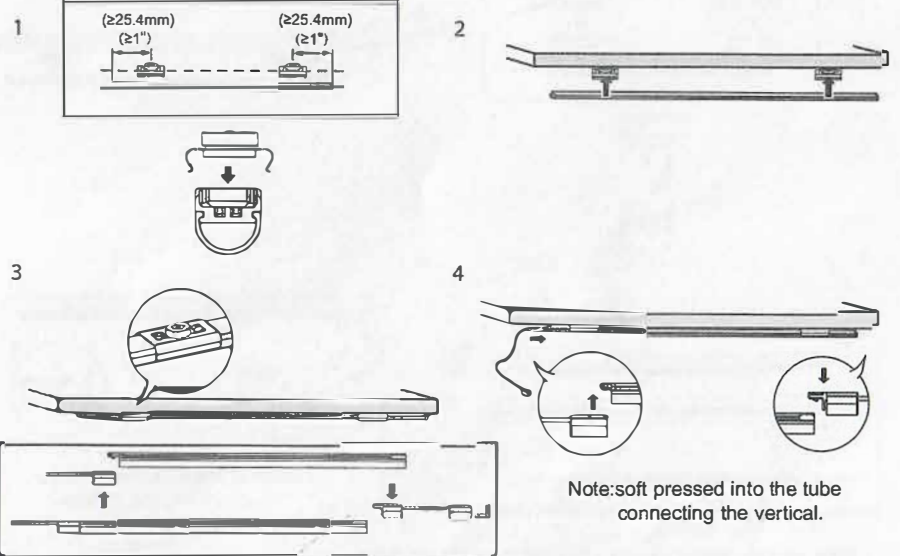


Note:vertical interconnection lines pressed into the tube.

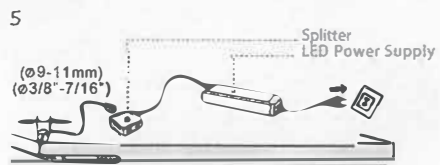
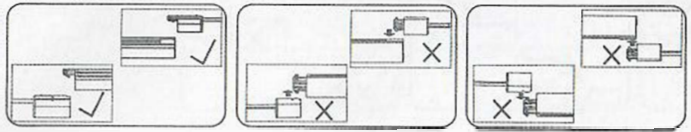


Note:soft pressed into the tube connecting the vertical.

Clip 3: Iron panel installation

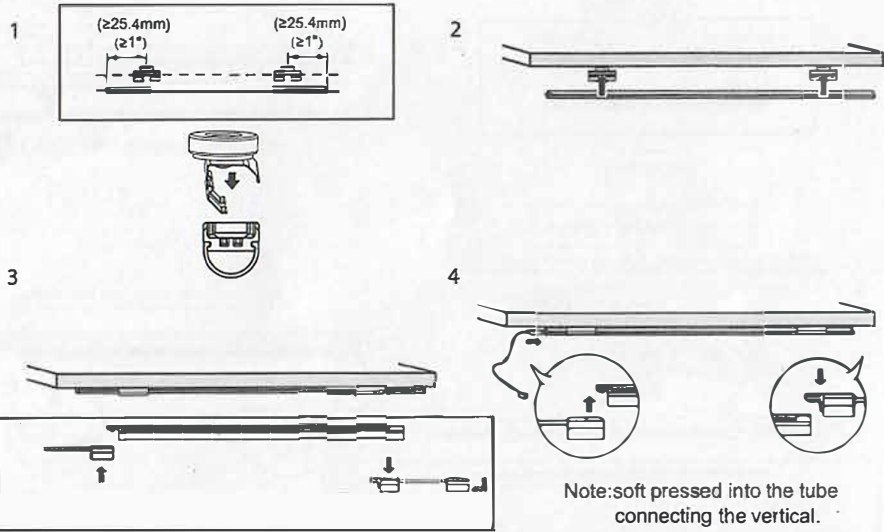


Note:vertical interconnection lines pressed into the tube.

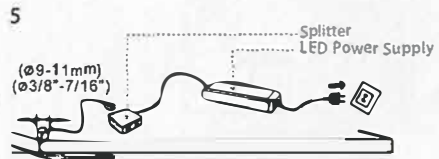
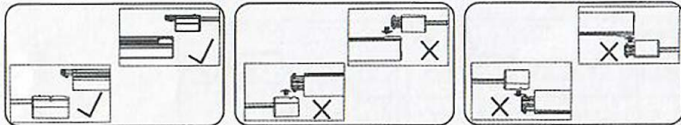


PROEDGE Installation Instructions

Clip 4: Iron panel installation



Note: vertical interconnection lines pressed into the tube.



! Connection Diagram

