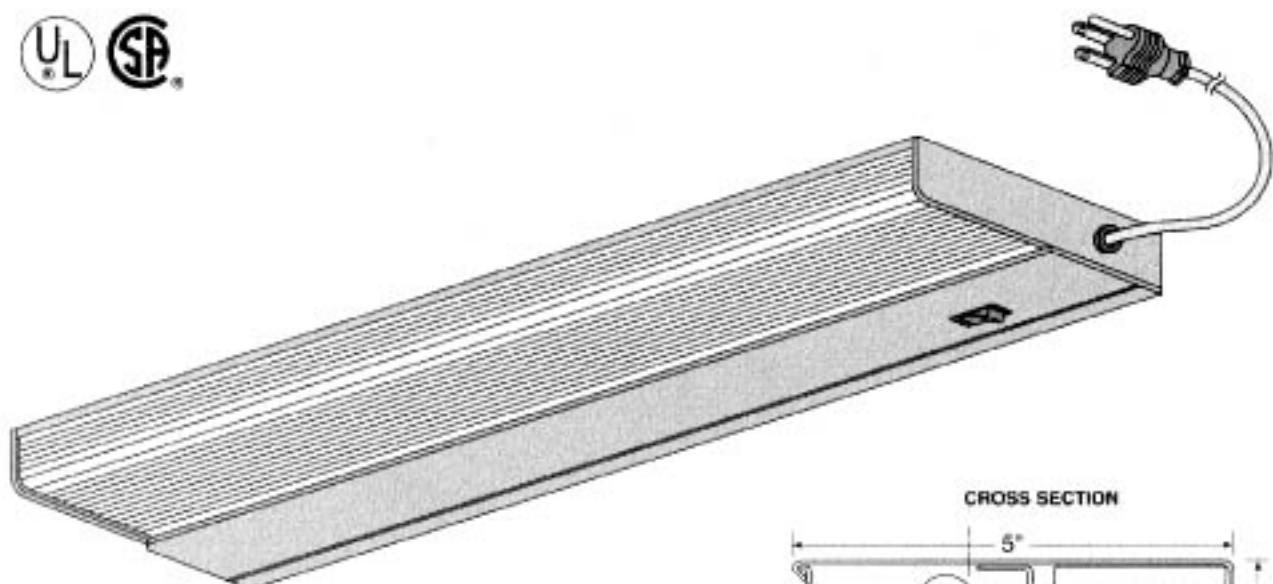
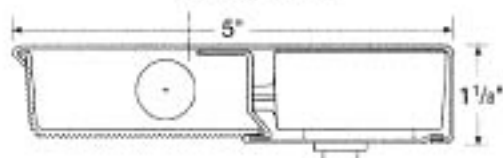


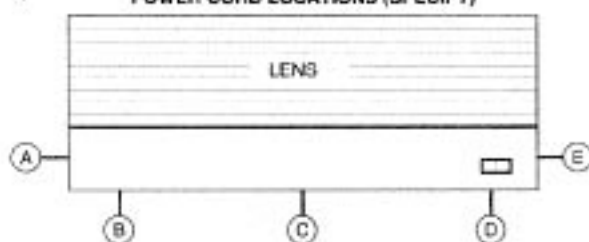
UT SERIES LIGHTING



CROSS SECTION



POWER CORD LOCATIONS (SPECIFY)



UT Series Lighting

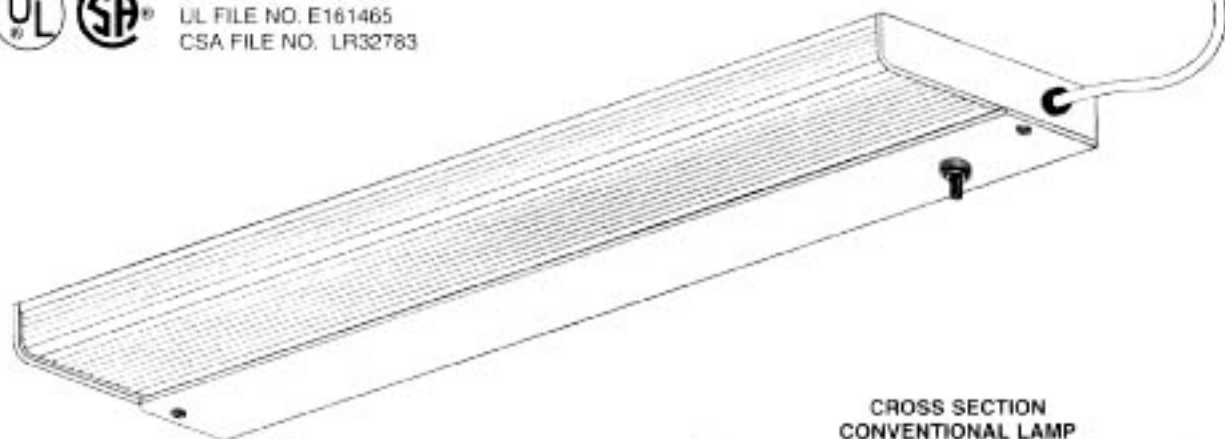
- The UT, Ultrathin undersurface luminaire is only 1 1/8" in depth.
- It is available in five lengths.
- Standard finish is white.
- The diffuser is white acrylic. An optional task diffuser is available with an opaque front and clear bottom.
- The power cord is 8', 18/3, SJT, 105° C., Putty. Specify location by suffix; i.e., UT 0812/E.
- A romex connector is available for hardwiring by electrician as an option.
- UL Listed and CSA Certified.
- Fixtures install through keyhole slots in top of fixture.

CATALOG NO.	BALLAST	LENGTH	LAMP
UT 0812	Preheat	12"	F8T5
UT 1321	Preheat	21"	F13T5
UT 1624	Preheat	24"	(2)F8T5
UT 2133	Preheat	33"	F8T, F13T5
UT 2642	Preheat	42"	(2) F13T5

F SERIES LIGHTING

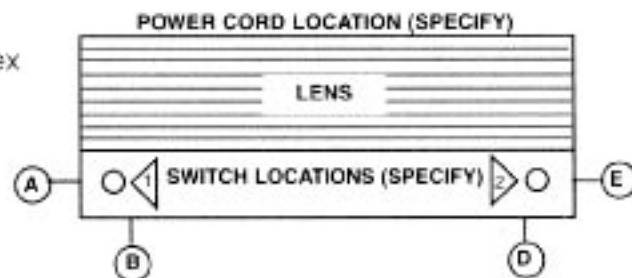
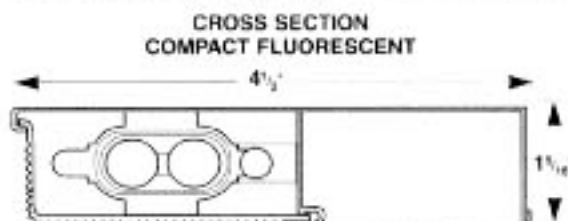


UL FILE NO. E77435
UL FILE NO. E161465
CSA FILE NO. LR32783



F Series Lighting

- These economic luminaires are only 1-5/16" in height.
- Available in five lengths.
- Standard finish is white or brown for conventional fixtures.
- Standard finish is white for compact fluorescent fixtures.
- Diffuser is white acrylic.
- Standard power cord is 10', 18/2, SPT-2, 105° C., brown (white is optional). Specify location by suffix; i.e., FN/D.
- Can be supplied without power cord with romex connector for hardwiring by an electrician.
- Specify switch location by suffix; i.e., FN/D/2.
- Specify push switch or rotary switch.
- Optional rocker switch in location 2.
- Optional grounded convenience outlet (not for office furniture) in location 2.
- Mount through keyhole slots in top of fixture.



CATALOG NO.	BALLAST	LENGTH	LAMP	LAMP LUMENS
FN	Preheat	12"	F8T5	400
FN13	Preheat	12"	PL13	900
FO	Preheat	18"	F15T8	870
FO26	Preheat	18"	2-PL13	1800
FP	Preheat	24"	F15T8-24"	1230
FH	Preheat	36"	(2) F15T8	1740
FH39	Preheat	36"	3-PL13	2700
FL	Preheat	48"	(2) F15T8-24"	2460

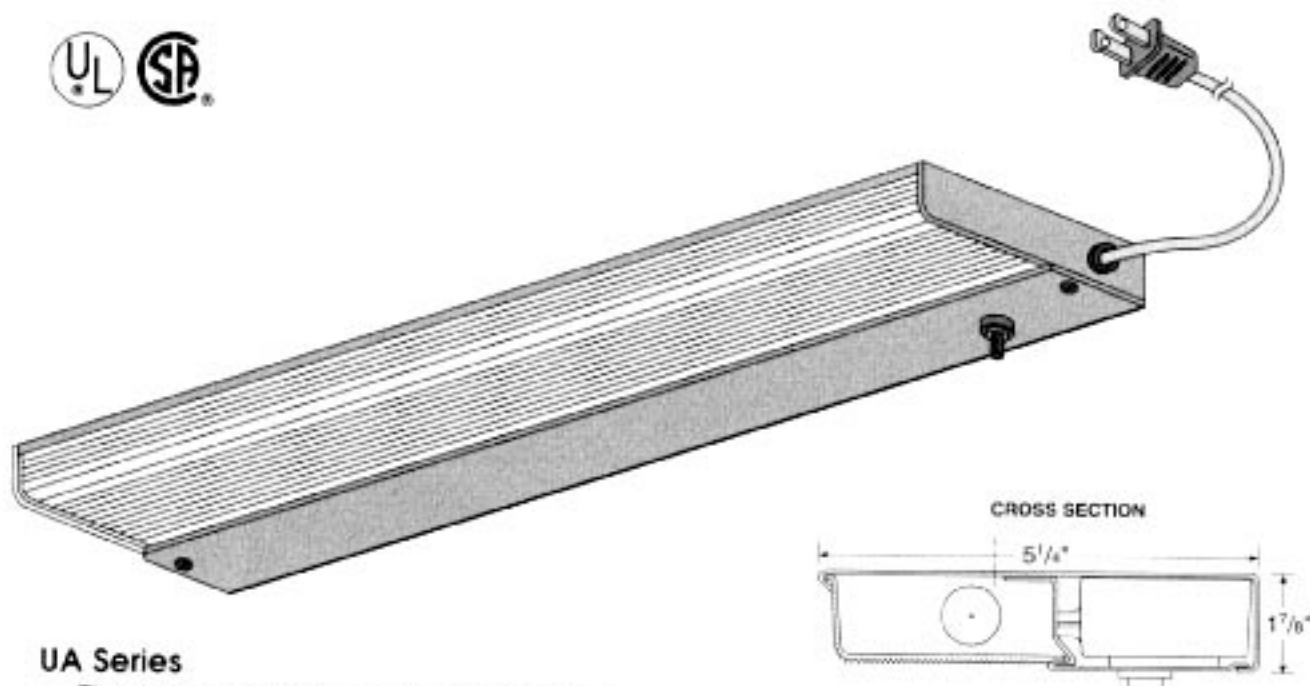


SPECIALITY LIGHTING
A JJI LIGHTING GROUP COMPANY

639 WASHBURN SWITCH RD., PO BOX 1680, SHELBY, NC 28151-1680
704-482-3416 • FAX: 704-484-0818

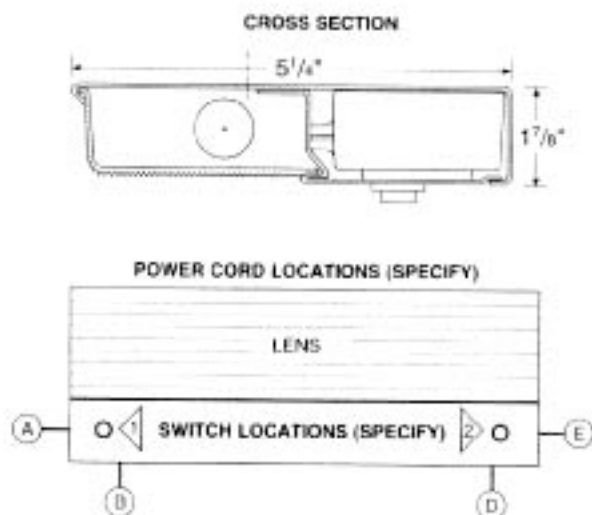
Rev. 7/95

UA SERIES LIGHTING



UA Series

- The UA series is only 1 7/8" in depth.
- Available in five different lengths.
- Standard finish is white or brown.
- The diffuser is white acrylic.
- Standard power cord is 10', 18/3, SPT-2, 105° C., brown for rapid start luminaires. Specify cord location by suffix: i.e., UA-P/D.
- Specify push switch or rotary switch and note location by suffix: i.e., UA-P/D/2.
- Fixtures are UL Listed and CSA Certified.
- Fixtures install through keyhole slots in top of fixture.



CATALOG NO.	BALLAST	LENGTH	LAMP
UA-RS	Rapid Start	15"	F14T12
UB-RS	Rapid Start	18"	F15T12
UC-RS	Rapid Start	24"	F20T12
UD	Rapid Start	36"	F30T12
UE	Rapid Start	48"	F40T12