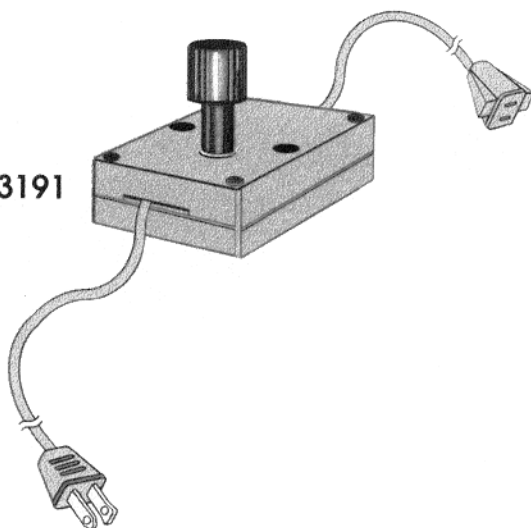


PH3000 Series POWR/FLEX™ Harnesses

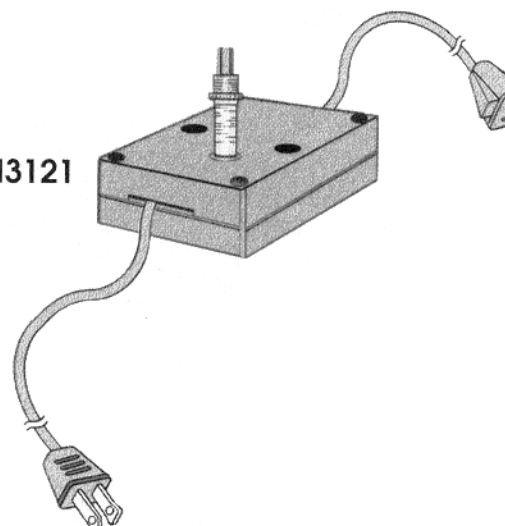


UL FILE NO. E124077
CSA FILE NO. LR32783

PH3191



PH3121



Powrflex™ Harnesses

These harnesses were designed for use with Specialty Lighting cabinet lights in display cases, residential and office furniture. They provide an economical means to control the cabinet lights, with switching, dimming or just junction box functions. The patented box is made of high impact, flame resistant PVC plastic.

- Standard voltage rating is 120 Volt, 60 Hz.
- All models have 10 ft. brown power cord, 18/2, 105° C, SPT-2.
- A maximum of four cords can exit the box, no more than three on either side.
- Leads can have Specialty Lighting's F2-2 or T-shape PF10009 female plugs.

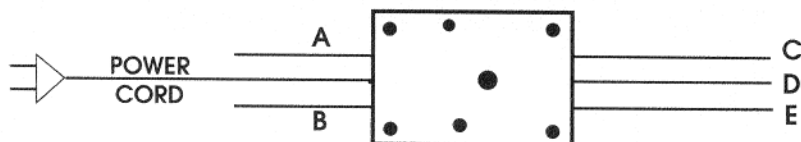
CATALOG NUMBER	DESCRIPTION	RATING
PH3 (X) 01	Junction Box	10 Amp Maximum
PH3 (X) 21	On-Off Push Switch	3 Amp Maximum
PH3 (X) 41	Remote On-Off Push Switch	3 Amp Maximum
PH3 (X) 51	On-Off Circuit Switch	6 Amp Maximum
PH3 (X) 61	On-Off Rotary Switch	6 Amp Maximum
PH3 (X) 91 *	Hi-Lo Dimmer	4 Amp Maximum

(X) indicates number of female leads or extensions.

* This harness requires a knob to operate it. Available knob colors are brown, black, chrome and brass. All are for 3/4" panel thickness. A maximum of 2 extensions can be provided.

WHEN ORDERING:

Specify Catalog Number, color, number of leads, wire lengths, lead length on remote witch, switch stem length (or panel thickness), female plug type and any specific instructions of exit positions of wires (see diagram below). If harness is to be wired directly into light fixture, please indicate so in your order.



SPECIALTY LIGHTING
A JJI LIGHTING GROUP COMPANY

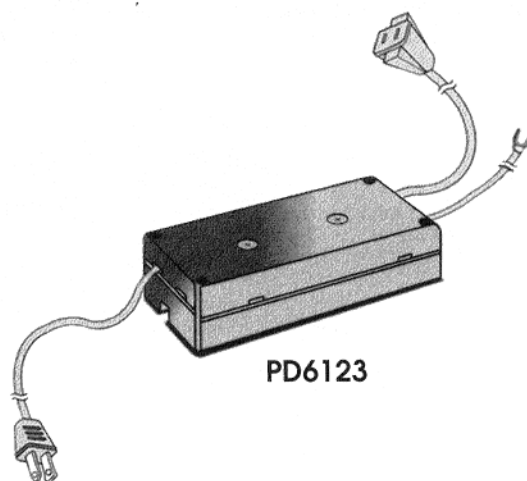
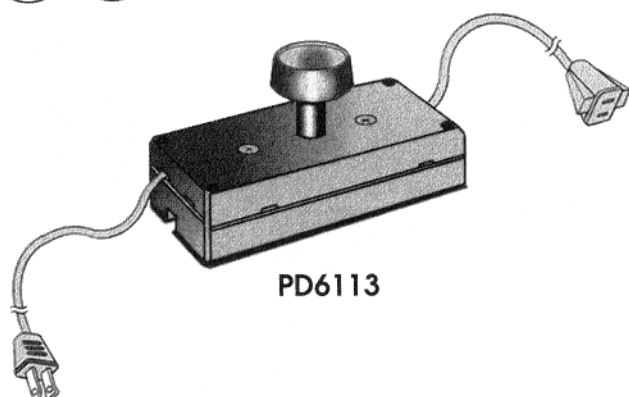
639 WASHBURN SWITCH RD. PO BOX 1680, SHELBY, NC 28151-1680
704-482-3416 • FAX: 704-484-0818

Rev. 7/97

PD6000 Series POWR/FLEX™ Dimmer Harnesses



UL FILE NO. E124077
CSA FILE NO. LR32783



Powrflex™ Dimmer Harnesses

These dimmers are designed to control incandescent or halogen canister or curio lights used in display cases, residential and office furniture. The dimmer box is molded of high impact, flame resistant PVC plastic.

- Standard voltage rating is 120 Volt, 60 Hz.
- All models have 10 ft. power cord, 18/2, 105° C, SPT-2, brown standard.
- Optional black power cords and extensions available.
- Available with 1-3 secondary leads.
- Leads can have Specialty Lighting F2-2 or T-shape PF10009 female plugs.
- Touch sensor lead is 60" long. Custom lengths may be specified.
- Full range rotary dimmer switch has extended knob for 3/4" panel thickness.
- Dimmer box color is black.

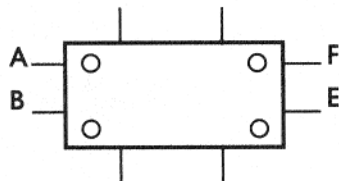
CATALOG NUMBER	DESCRIPTION	RATING
PD6 (X) 13	Rotary Dimmer Switch	300 Watts
PD6 (X) 23	3-level Touch Dimmer	300 Watts
PD6 (X) 43	3-level Touch Dimmer (for Electronic Transformer)	300 Watts

(X) indicates number of female leads or extensions.

WHEN ORDERING:

Specify Catalog Number, color, number of leads, wire lengths, type of female plug and any specific instructions of exit positions of wires (see diagram below). If harness is to be wired directly into light fixture, please indicate so in your order.

WIRING OPTIONS:



Standard version has power cord in A, female lead in F, touch lead (if applicable) in E.



SPECIALTY LIGHTING
A JJI LIGHTING GROUP COMPANY

639 WASHBURN SWITCH RD. PO BOX 1680, SHELBY, NC 28151-1680
704-482-3416 • FAX: 704-484-0818